



SB, SBI, SBN 1, 3, 5, 10, 15, 20, 32, 45, 64, 90, 120, 150 series

**Vertical Multistage Centrifugal
In-line Pumps**

60Hz



STAIRS INDUSTRIAL CO., LTD.



page	General data
2	SB, SBI, SBN Performance range at 60 Hz
3	Product data
4	Product data
5	Pump, Application
6	Identification Code, Motor
7	Motor data, Mechanical Seal
8	Maximum operating pressure and inlet pressure
9	Construction
10	Construction
11	Construction

page	Performance curves / Technical data
12	SB, SBI, SBN 1
15	SB, SBI, SBN 3
18	SB, SBI, SBN 5
21	SB, SBI, SBN 10
24	SB, SBI, SBN 15
27	SB, SBI, SBN 20
30	SB, SBI, SBN 32
33	SB, SBI, SBN 45
36	SB, SBI, SBN 64
39	SB, SBI, SBN 90
42	SB, SBI, SBN 120
45	SB, SBI, SBN 150
48	Pumped Liquids

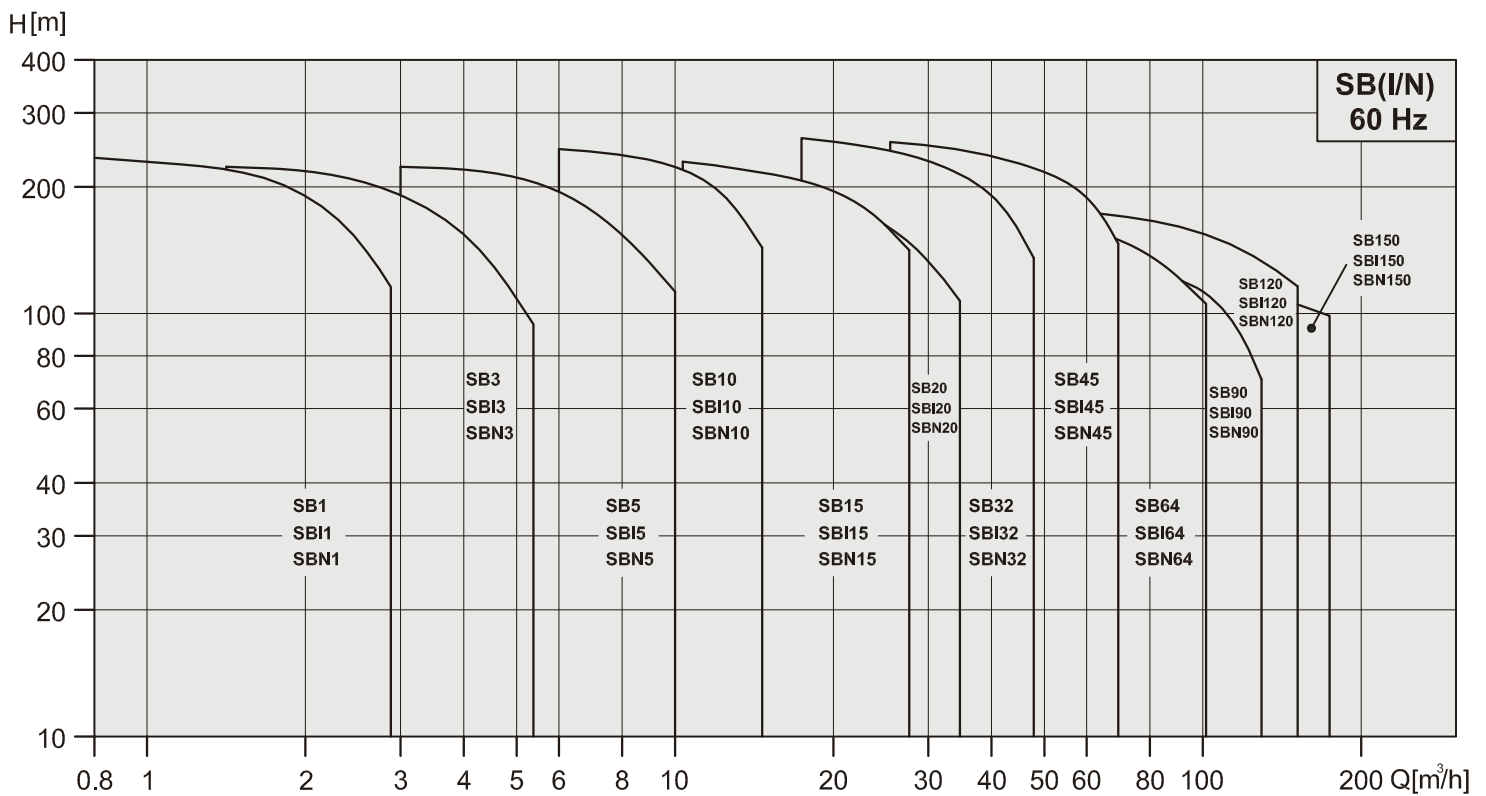
Contents

Vertical Multistage Centrifugal In-line Pumps



STAIRS PUMPS

SB, SBI, SBN Series Performance range 60 Hz



Contents

Vertical Multistage Centrifugal In-line Pumps



STAIRS PUMPS

Product data

Range	SB, SBI, SBN					
	1	3	5	10	15	20
60Hz						
Nominal flow [m ³ /h]	1.2	3.6	6	12	18	24
Flow range [m ³ /h]	0.8-2.9	1.5-5.4	3-10	6-15.5	10.5-28	12.5-35
Max. pressure [bar]	23.5	23.3	23	24.5	23.5	20.5
Fluid temperature [°C]	-15 to +120					
Motor power [kW]	0.37-3.0	0.37-4.0	0.55-7.5	0.75-11	1.5-18.5	2.2-18.5
Version						
SB: Cast iron and stainless steel EN 1.4301/AISI 304	●	●	●	●	●	●
SBI: Stainless steel EN 1.4301/AISI 304	●	●	●	●	●	●
SBN: Stainless steel EN 1.4401/AISI 316	●	●	●	●	●	●
Motor						
Mains connection 3~ [V/Hz] (Permissible voltage tolerance ± 10%)	0.37-1.1 kW 220-255/380-440 V 60 Hz 1.5-7.5 kW 220-277/380-480 V 60 Hz From 11 kW 220/380/440 V 60 Hz					
Insulation class	F					
Enclosure class	IP 55					
Ambient temperature	50°C					
SB Pipe Connection						
Flange	DN 25/ DN 32	DN 25/ DN 32	DN 25/ DN 32	DN 40	DN 50	DN 50
SBI, SBN Pipe Connection						
Flange	DN 25/ DN 32	DN 25/ DN 32	DN 25/ DN 32	DN 40	DN 50	DN 50
Victaulic-connections	R 1 ¹ / ₄ DN 32	R 1 ¹ / ₄ DN 32	R 1 ¹ / ₄ DN 32	R 2 DN50	R 2 DN50	R 2 DN50
Mechanical Seals						
SiC/SiC	Standard					
Seals						
EPDM	Standard					
Viton						

* Flange standards : Refer to dimensional drawings

Contents

Vertical Multistage Centrifugal In-line Pumps



STAIRS PUMPS

Product data

Range	SB, SBI, SBN					
	32	45	64	90	120	150
60Hz						
Nominal flow [m ³ /h]	38	54	77	108	140	180
Flow range [m ³ /h]	18-48	26-70	36-102	54-146	60-160	75-180
Max. pressure [bar]	27	26	17.8	15.9	18.5	15.3
Fluid temperature [°C]	-15 to +120					
Motor power [kW]	2.2-30	5.5-45	7.5-45	11-45	18.5-75	18.5-75
Version						
SB: Cast iron and stainless steel EN 1.4301/AISI 304	●	●	●	●	●	●
SBI: Stainless steel EN 1.4301/AISI 304	●	●	●	●	●	●
SBN: Stainless steel EN 1.4401/AISI 316	●	●	●	●	●	●
Motor						
Mains connection 3 [~] [V/Hz] (Permissible voltage tolerance ± 10%)	0.37-1.1 kW 220-255/380-440 V 60 Hz 1.5-7.5 kW 220-277/380-480 V 60 Hz From 11 kW 220/380/440 V 60 Hz					
Insulation class	F					
Enclosure class	IP 55					
Ambient temperature	50°C					
SB Pipe Connection						
Flange	DN 65	DN80	DN100	DN100	DN125	DN125
SBI, SBN Pipe Connection						
Flange	DN 65	DN80	DN100	DN100	DN125	DN125
Victaulic-connections	N/A	N/A	N/A	N/A	N/A	N/A
Mechanical Seals						
SiC/SiC	Standard					
Seals						
EPDM	Standard					
Viton						

* Flange standards : Refer to dimensional drawings

Contents

Vertical Multistage Centrifugal In-line Pumps



STAIRS PUMPS

Pump



The SB, SBI and SBN pumps are non-self priming vertical multistage pump of in-line design, flange or with Victaulic coupling with equally sized suction and discharge ports. Stage construction with stainless steel impellers, chambers and pressure casing. Pump stub shaft and motor shaft of the IEC-standards motor are directly close coupled. All pumps are equipped with a cartridge type mechanical seal for easy maintenance.

SB, SBI and SBN pumps have different pump sizes and various numbers of stages to provide the flow and the pressure required.

Applications

WATER SUPPLY AND PRESSURE BOOSTING

Pressure boosting in buildings, hotels, residential complexes
Pressure booster stations, supply of water networks
Pressure boosting for industrial water supply

IRRIGATION AND AGRICULTURE

Greenhouses
Sprinkler irrigation
Field irrigation (flooding)

LIGHT INDUSTRY

Washing and cleaning systems
Car washing facilities
Fire fighting systems
Process water systems
Machine tools (cooling lubricants)

WATER TREATMENT

Water softeners and de-mineralization
Reverse Osmosis systems
Distillation systems
Filtration
Ultra-filtration systems

HEATING, VENTILATION AND AIR-CONDITIONING

Boilers
Induction heating
Heat exchangers
Refrigerators
Cooling towers and systems
Temperature control systems

Contents

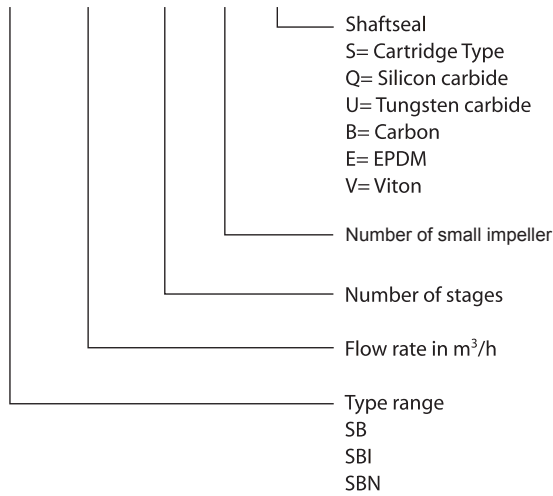
Vertical Multistage Centrifugal In-line Pumps



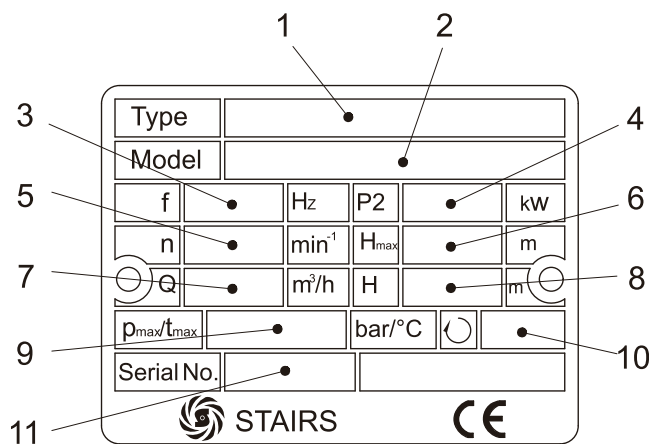
STAIRS PUMPS

Identification Code

SB - 10 - 5 - 1 - S Q Q E



Pump nameplate information



1. Pump Type - Seal Type
2. Pump Model
3. Frequency
4. Rated Power
5. Speed
6. Maximum Head
7. Capacity
8. Head Range
9. Maximum Operating Pressure
10. Rotating Direction
11. Serial number

Motor

- Squirrel cage in short circuit, aluminum casing up to 22 kW, totally enclosed, fan-cooled, 2-pole standard motor.
- Standard supply Stairs motors up to 15 kW. Other motor brands for higher powers.
- Electrical data
 - Enclosure class: IP55
 - Insulation class: F
 - Standard voltages: P2: 0.37-1.1 kW 3 x 220-255/380-440 V
 P2: 1.5-7.5 kW 3 x 220-277/380-480 V
 P2: From 11 kW 3 x 220/380/440 V
- The motors have efficiency values that fall within the range normally referred to as high efficiency.
- Ambient temperature: Max. +50°C

Contents

Vertical Multistage Centrifugal In-line Pumps



STAIRS PUMPS

Motor Data

Motor Type				Nominal current in [A]					
HP	kW	Pole	Flange	Frame	3-220V	3-255V	3-380V	3-440V	
0.5	0.37	2	B14	71A	1.7	1.7	1.0	1.0	
0.75	0.55			71B	2.4	2.4	1.4	1.4	
1.0	0.75			80A	3.1	3.1	1.8	1.8	
1.5	1.1			80B	4.5	4.2	2.6	2.4	
						3-220V	3-277V	3-380V	3-480V
2.0	1.5			90S	5.7	5.4	3.3	3.1	
3.0	2.2			90L	8.7	9.7	5.0	5.6	
4.0	3.0			100L	11.2	10.5	6.5	6.1	
5.5	4.0			112M	14.2	13.0	8.2	7.5	
7.5	5.5			132S	18.5	15.8	10.7	9.1	
10	7.5		B5	132S	24.7	21.6	14.3	12.5	
15	11			160L	37.6	32.5	21.7	18.8	
20	15			160L	52.1	51.4	30.1	29.7	
						3-380V	3-480V	3-660V	3-830V
4.0	3.0		B14	100L	6.5	6.1	3.8	3.5	
5.5	4.0			112M	8.4	7.2	4.8	4.2	
7.5	5.5		B5	132S	10.7	9.4	6.2	5.4	
10	7.5			132S	14.4	12.8	8.3	7.4	
15	11			160L	22.8	25.0	13.2	14.4	
20	15			160L	29.8	28.1	17.2	16.2	
					3-220V	3-380V	3-660V		
15	11	160M			36.0	20.8	12.0		
20	15	160M			49.0	28.4	16.3		
25	18.5	160L			59.9	34.7	20.0		
30	22	180M			71.3	41.3	23.8		
40	30	200L			96.5	55.8	32.2		
50	37	200L		118.1	68.4	39.4			
60	45	225M		142.7	82.6	47.6			
75	55	250M		174.4	101.0	58.1			
100	75	280S		236.3	136.8	78.8			

Mechanical Seal

Standard Cartridge type mechanical seal made of Silicon Carbide/Silicon Carbide/EPDM or Viton. Based on the type of application, alternative materials are available for the seal and the elastomers. The cartridge type mechanical seal can be replaced in minutes without special tools and without dismantling the pump.



List of Materials

Q : Silicon carbide	E : EPDM
U : Tungsten carbide	V : Viton
B : Carbon	

Type of Seal

Seal Type	SB/SBI/SBN		
	1/3/5/10/15/20 /32/45/64/90	120/150	
		0.5-60HP	75-100HP
Mechanical Seals			
S: O-ring seal Cartridge type	●	●	
B: Rubber bellows seal Cartridge type			●
QQ	●	●	●
UU	Optional	Optional	
QB	Optional	Optional	
UB	Optional	Optional	
Seals			
E	●	●	●
V	Optional	Optional	Optional

Contents

Vertical Multistage Centrifugal In-line Pumps



STAIRS PUMPS

Maximum operating and inlet pressures

60Hz

Stages	Maximum Operating Pressure	Stages	Maximum Inlet Pressures
SB, SBI, SBN 1			
2-27	25bar	2-25	10bar
		27	15bar
SB, SBI, SBN 3			
2-25	25bar	2-15	10bar
		17-25	15bar
SB, SBI, SBN 5			
2-24	25bar	2-9	10bar
		10-24	15bar
SB, SBI, SBN 10			
1-10	16bar	1-5	8bar
12-17	25bar	6-17	10bar
SB, SBI, SBN 15			
1-8	16bar	1-2	8bar
9-12	25bar	3-12	10bar
SB, SBI, SBN 20			
1-7	16bar	1	8bar
8-10	25bar	2-10	10bar
SB, SBI, SBN 32			
(1-1)-5	16bar	(1-1)-(2)	4bar
(6-2)-(10-2)	30bar	(3-2)-(6)	10bar
	30bar	(7-2)-(10-2)	15bar
SB, SBI, SBN 45			
(1-1)-4	16bar	(1-1)-1	4bar
(5-2)-7	30bar	(2-2)-3	10bar
		(4-2)-7	15bar
SB, SBI, SBN 64			
(1-1)-3	16bar	(1-1)	4bar
(4-2)-(5-2)	30bar	1-(2-1)	10bar
		2-(5-2)	15bar
SB, SBI, SBN 90			
(1-1)-3	16 bar	(1-1) - (2-2)	10bar
(4-2)	30 bar	(2-1) - (4-2)	15bar
SB, SBI, SBN 120			
1-(5-2)	30 bar	1	10bar
		(2-2)-(3-1)	15bar
		3-(5-2)	20bar
SB, SBI, SBN 150			
(1-1)-(4-2)	30 bar	(1-1)	10bar
		1-2	15bar
		(3-2)-(4-2)	20bar

*Rule to follow : The inlet pressure+ the pressure against a closed valve < Max. Operating pressure.

Contents

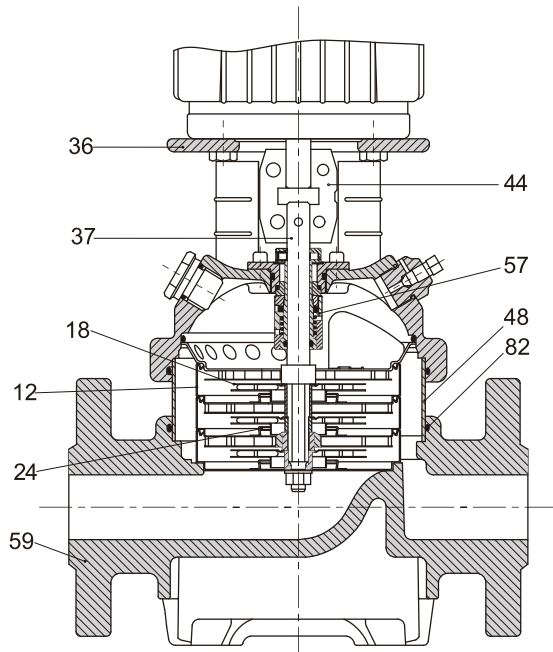
Vertical Multistage Centrifugal In-line Pumps



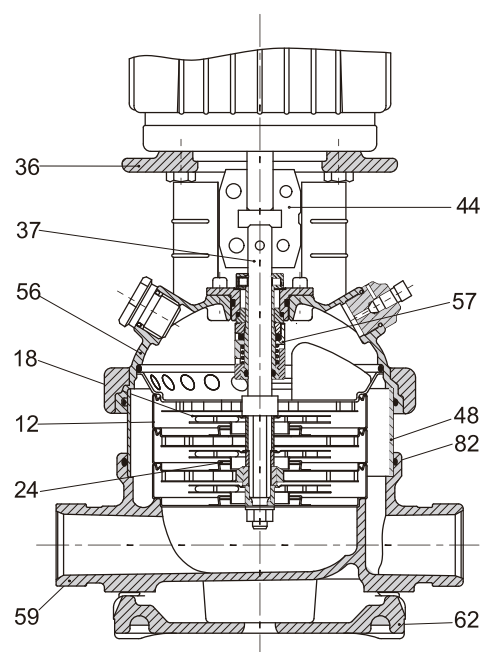
STAIRS PUMPS

Construction

SB-1,3,5,10,15,20



SBI(N)-1,3,5,10,15,20



CONSTRUCTION

Pos.	Name	Material	SB 1,3,5,10,15,20		SBI 1,3,5,10,15,20		SBN 1,3,5,10,15,20	
			Standard		Standard		Standard	
			Europe	USA	Europe	USA	Europe	USA
36	Pump head	Cast Iron	EN-GJL-200	ASTM 25B	EN-GJS-450-10	ASTM 65-45-12	EN-GJS-450-10	ASTM 65-45-12
56	Pump head cover	Stainless steel	N/A		1.4301	AISI 304	1.4401	AISI 316
18	Impeller	Stainless steel	1.4301	AISI 304	1.4301	AISI 304	1.4401	AISI 316
37	Shaft	Stainless steel	1.4057	AISI 431	1.4057	AISI 431	1.4401	AISI 316
48	Outer Sleeve	Stainless steel	1.4301	AISI 304	1.4301	AISI 304	1.4401	AISI 316
82	O-ring for outer sleeve	EPDM						
12	Chamber	Stainless steel	1.4301	AISI 304	1.4301	AISI 304	1.4401	AISI 316
24	Neck ring	PTFE						
59	Base	Cast Iron	EN-GJL-200	ASTM 25B	N/A			
	Base	Stainless steel	N/A		1.4301	AISI 304	1.4401	AISI 316
62	Base plate	Cast Iron	N/A		EN-GJL-200	ASTM 25B	EN-GJL-200	ASTM 25B
44	Coupling	Fe-Cu-C	SINT C11	MPIF FC0525	SINT C11	MPIF FC0525	SINT C11	MPIF FC0525
57	Mechanical seal	Cartridge type						

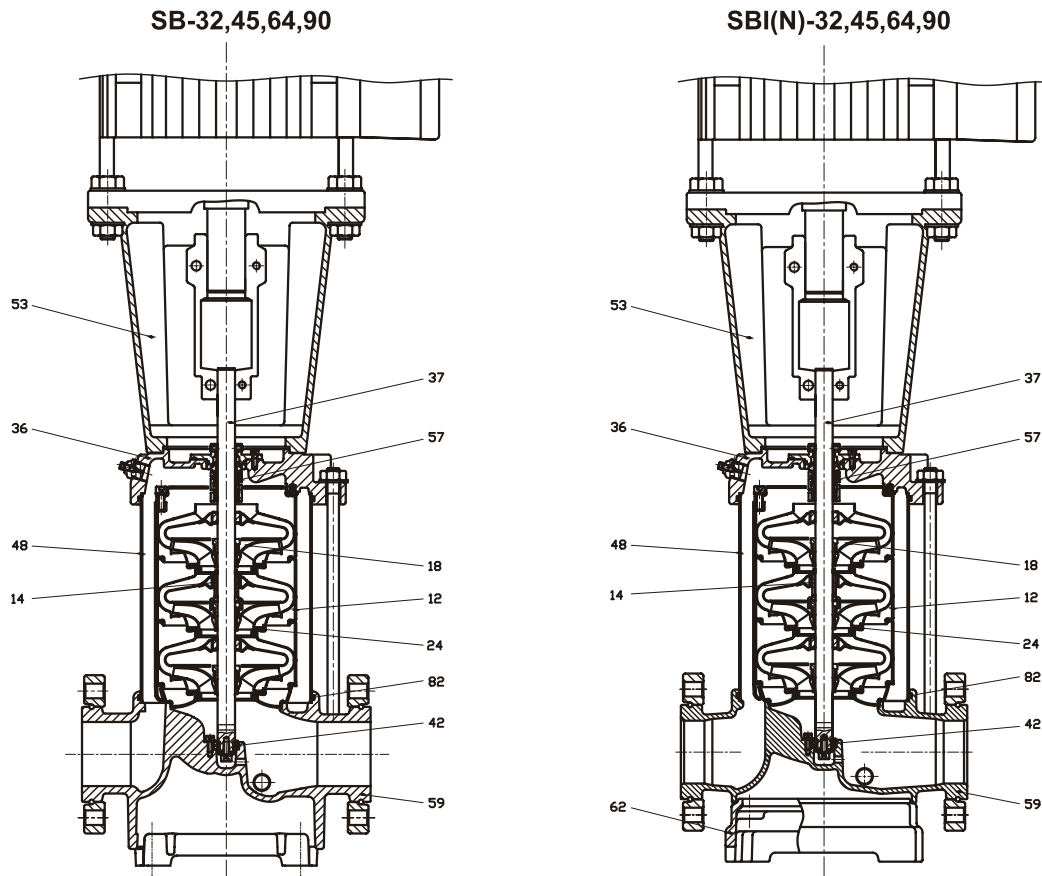
Contents

Vertical Multistage Centrifugal In-line Pumps



STAIRS PUMPS

Construction



CONSTRUCTION

Pos.	Name	Material	SB 32, 45, 64, 90		SBI 32, 45, 64, 90		SBN 32, 45, 64, 90	
			Standard		Standard		Standard	
			Europe	USA	Europe	USA	Europe	USA
36	Pump head	Cast Iron	EN-GJL-250	ASTM 35B				
		Stainless steel			1.4301	AISI 304	1.4401	AISI 316
53	Motor Bracket	Cast Iron	EN-GJL-250	ASTM 35B	EN-GJL-250	ASTM 35B	EN-GJL-250	ASTM 35B
18	Impeller	Stainless steel	1.4301	AISI 304	1.4301	AISI 304	1.4401	AISI 316
37	Shaft	Stainless steel	1.4057	AISI 431	1.4057	AISI 431	1.4401	AISI 316
48	Outer Sleeve	Stainless steel	1.4301	AISI 304	1.4301	AISI 304	1.4401	AISI 316
82	O-ring for outer sleeve	EPDM						
12	Chamber	Stainless steel	1.4301	AISI 304	1.4301	AISI 304	1.4401	AISI 316
24	Neck ring	Carbon Fiber + POB + PTFE						
59	Base	Cast Iron	EN-GJL-250	ASTM 35B	N/A			
	Base	Stainless steel	N/A		1.4301	AISI 304	1.4401	AISI 316
62	Base plate	Cast Iron	N/A		EN-GJL-250	ASTM 35B	EN-GJL-250	ASTM 35B
57	Mechanical seal	Cartridge type						
14	Bearing ring		Bronze				POB+Graphite+PTFE	
42	Bottom bearing ring	Tungsten carbide/ Tungsten carbide						

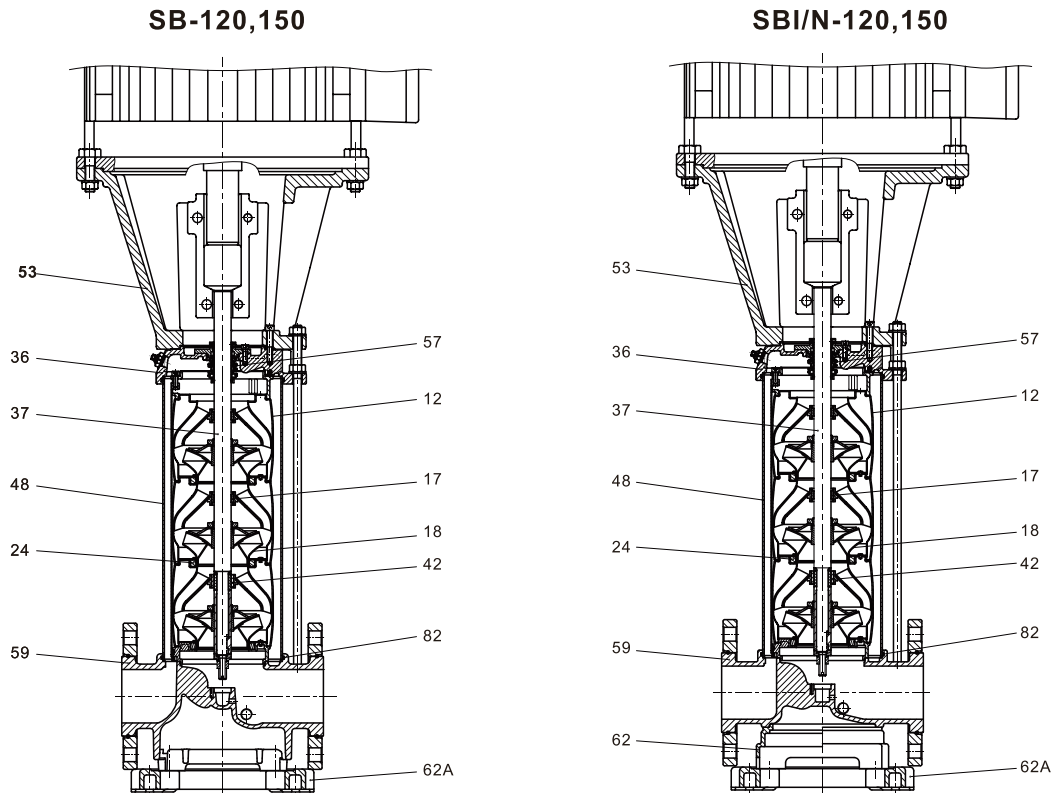
Contents

Vertical Multistage Centrifugal In-line Pumps



STAIRS PUMPS

Construction



CONSTRUCTION

Pos.	Name	Material	SB 120, 150		SBI 120, 150		SBN 120, 150	
			Standard		Standard		Standard	
			Europe	USA	Europe	USA	Europe	USA
36	Pump head	Cast Iron	EN-GJL-250	ASTM 35B	N/A			
		Stainless steel	N/A		1.4301	AISI 304	1.4401	AISI 316
53	Motor bracket (15HP~60HP)	Cast Iron	EN-GJL-250	ASTM 35B	EN-GJL-250	ASTM 35B	EN-GJL-250	ASTM 35B
	Motor bracket (75HP~100HP)	Cast Iron	EN-GJS-450-10	ASTM 65-45-12	EN-GJS-450-10	ASTM 65-45-12	EN-GJS-450-10	ASTM 65-45-12
17	bearing ring	PTFE						
18	Impeller	Stainless steel	1.4301	AISI 304	1.4301	AISI 304	1.4401	AISI 316
37	Shaft	Stainless steel	1.4057	AISI 431	1.4057	AISI 431	1.4401	AISI 316
48	Outer sleeve	Stainless steel	1.4301	AISI 304	1.4301	AISI 304	1.4401	AISI 316
82	O-ring for outer sleeve	EPDM						
12	Chamber	Stainless steel	1.4301	AISI 304	1.4301	AISI 304	1.4401	AISI 316
24	Neck ring	PTFE						
59	Base	Cast Iron	EN-GJL-250	ASTM 35B	N/A			
		Stainless steel	N/A		1.4301	AISI 304	1.4401	AISI 316
62	Base plate	Cast Iron	N/A		EN-GJS-450-10	ASTM 65-45-12	EN-GJS-450-10	ASTM 65-45-12
62A	Base plate	Cast Iron	EN-GJS-450-10	ASTM 65-45-12	EN-GJS-450-10	ASTM 65-45-12	EN-GJS-450-10	ASTM 65-45-12
57	Mechanical seal	Cartridge type						
42	Bottom bearing ring	SiC / SiC						

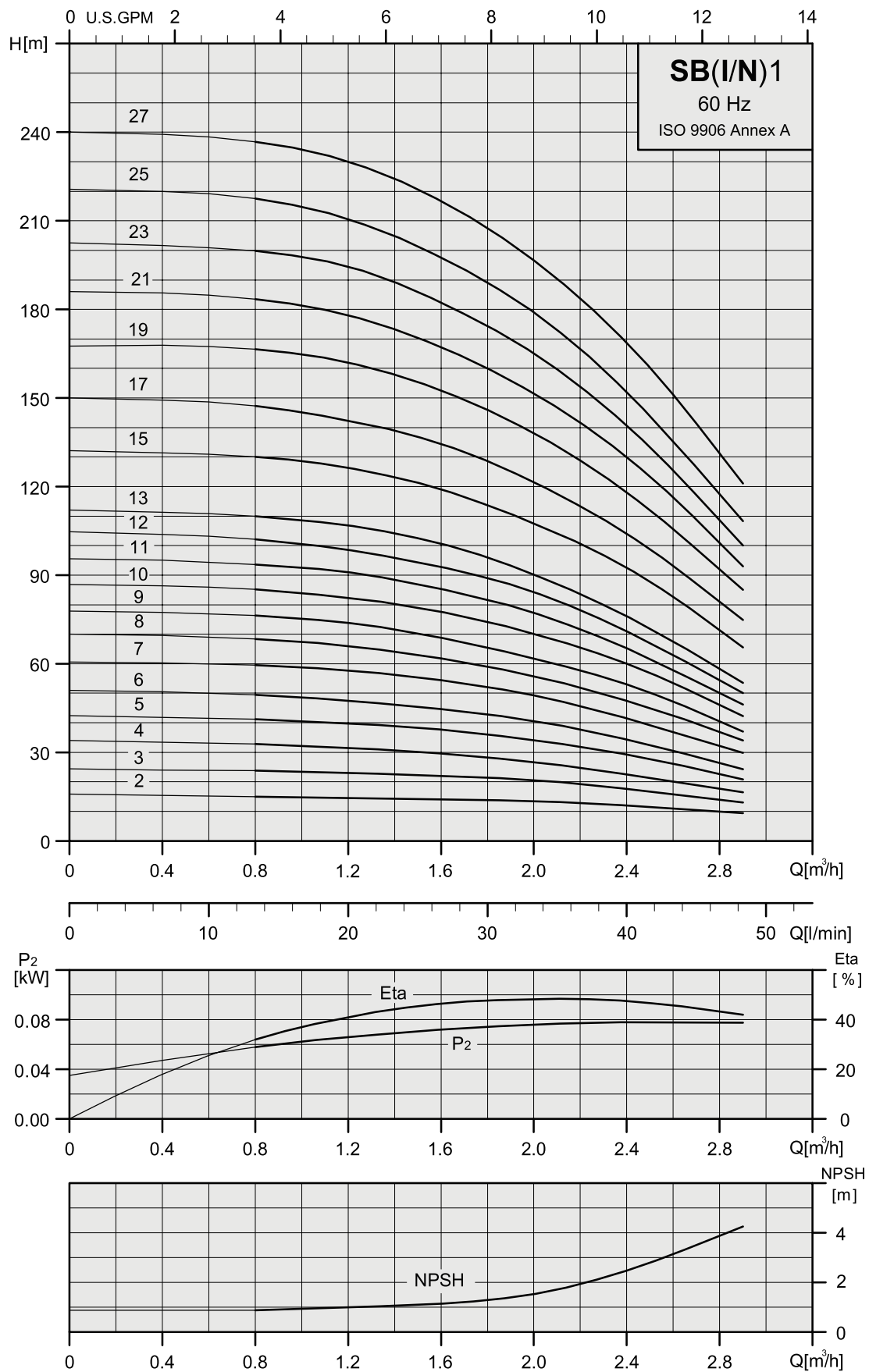
Technical data

Vertical Multistage Centrifugal In-line Pumps



STAIRS PUMPS

SB, SBI, SBN 1



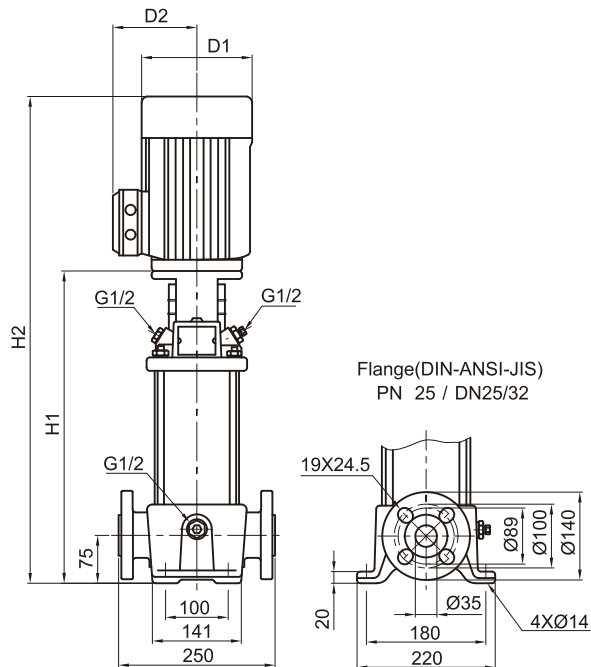
Technical data

Vertical Multistage Centrifugal In-line Pumps



STAIRS PUMPS

Dimensions and weights – SB 1



Pump type	Motor	SB					Net weight [kg]
		Dimension[mm]				DIN flange	
	P ₂	DIN flange		D1	D2		DIN flange
	[kW]	H1	H2				
SB1-2	0.37	279	474	141	115	23.4	
SB1-3	0.37	279	474	141	115	23.4	
SB1-4	0.37	297	492	141	115	23.8	
SB1-5	0.55	315	510	141	115	24.7	
SB1-6	0.55	333	528	141	115	25.0	
SB1-7	0.75	357	592	141	115	27.5	
SB1-8	0.75	375	610	141	115	27.9	
SB1-9	0.75	393	628	141	115	28.3	
SB1-10	1.1	411	646	141	115	29.8	
SB1-11	1.1	429	664	141	115	30.2	
SB1-12	1.1	447	682	141	115	30.5	
SB1-13	1.1	465	700	141	115	30.9	
SB1-15	1.5	517	808	177	141	40.3	
SB1-17	1.5	553	844	177	141	41.0	
SB1-19	2.2	589	880	177	141	44.6	
SB1-21	2.2	625	916	177	141	45.3	
SB1-23	2.2	661	952	177	141	46.1	
SB1-25	2.2	697	988	177	141	46.8	
SB1-27	3	737	1053	197	147	55.1	

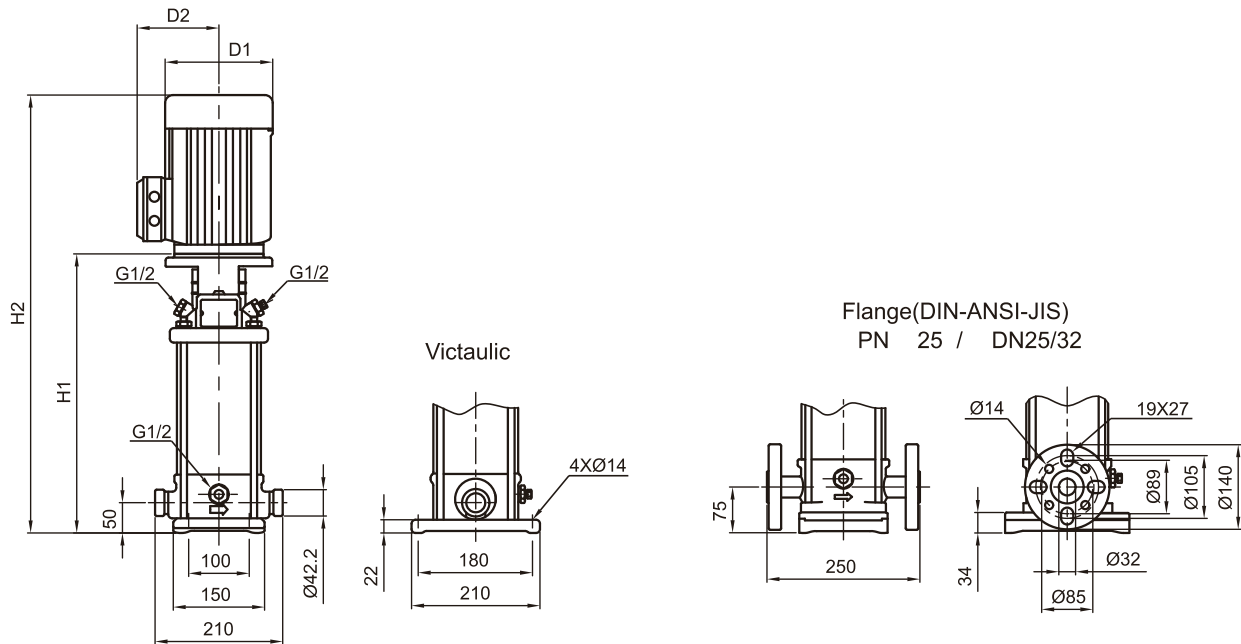
Technical data

Vertical Multistage Centrifugal In-line Pumps



STAIRS PUMPS

Dimensions and weights – SBI,SBN 1



Pump type	Motor P ₂ [kW]	SBI , SBN							
		Dimension [mm]						Net weight [kg]	
		Victaulic		DIN flange		D1	D2	Victaulic	DIN flange
		H1	H2	H1	H2				
SBI,SBN1-2	0.37	257	452	282	477	141	115	19.3	20.2
SBI,SBN1-3	0.37	257	452	282	477	141	115	19.3	20.3
SBI,SBN1-4	0.37	275	470	300	495	141	115	19.7	20.6
SBI,SBN1-5	0.55	293	488	318	513	141	115	20.6	21.5
SBI,SBN1-6	0.55	311	506	336	531	141	115	20.9	21.9
SBI,SBN1-7	0.75	335	570	360	595	141	115	23.3	24.2
SBI,SBN1-8	0.75	353	588	378	613	141	115	23.7	24.6
SBI,SBN1-9	0.75	371	606	396	631	141	115	24.0	25.0
SBI,SBN1-10	1.1	389	624	414	649	141	115	25.5	26.5
SBI,SBN1-11	1.1	407	642	432	667	141	115	25.9	26.9
SBI,SBN1-12	1.1	425	660	450	685	141	115	26.3	27.2
SBI,SBN1-13	1.1	443	678	468	703	141	115	26.7	27.6
SBI,SBN1-15	1.5	495	786	520	811	177	141	36.1	37.1
SBI,SBN1-17	1.5	531	822	556	847	177	141	36.9	37.8
SBI,SBN1-19	2.2	567	858	592	883	177	141	40.4	41.3
SBI,SBN1-21	2.2	603	894	628	919	177	141	41.2	42.1
SBI,SBN1-23	2.2	639	930	664	955	177	141	41.9	42.9
SBI,SBN1-25	2.2	675	966	700	991	177	141	42.6	43.6
SBI,SBN1-27	3	716	1032	741	1057	197	147	50.5	51.5

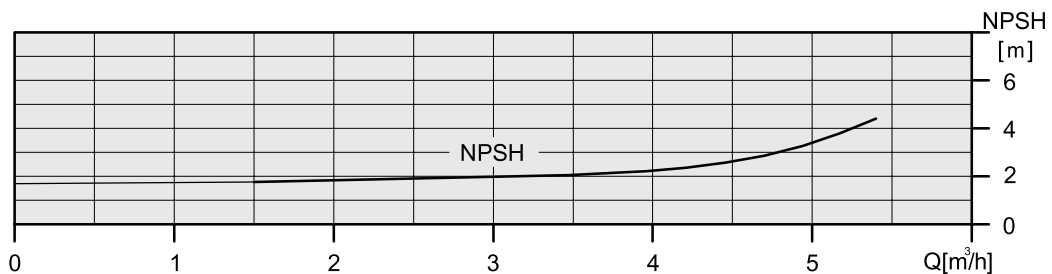
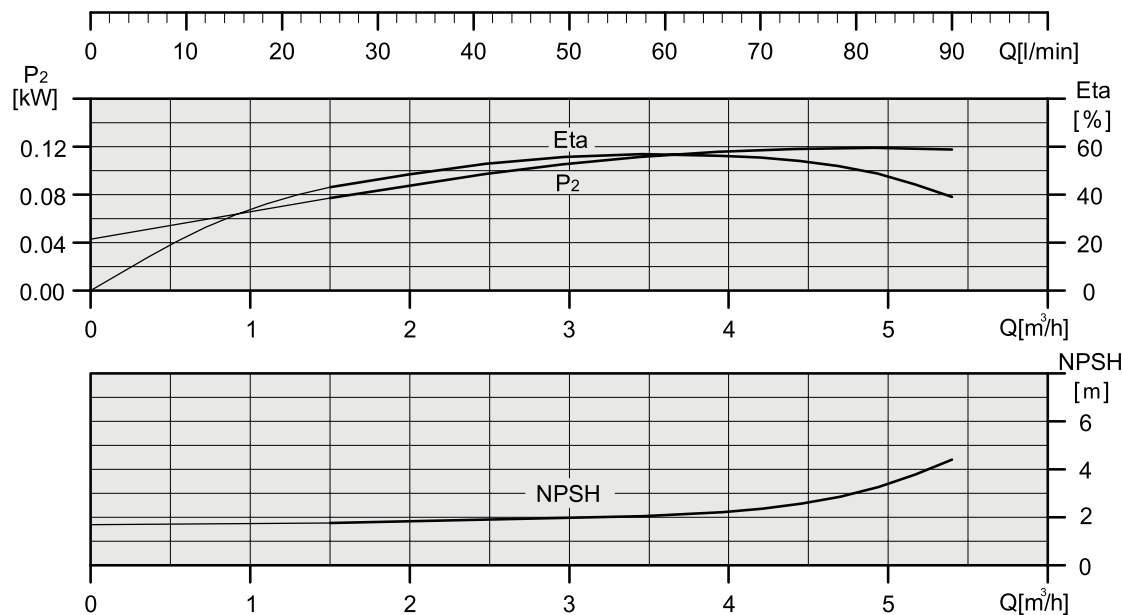
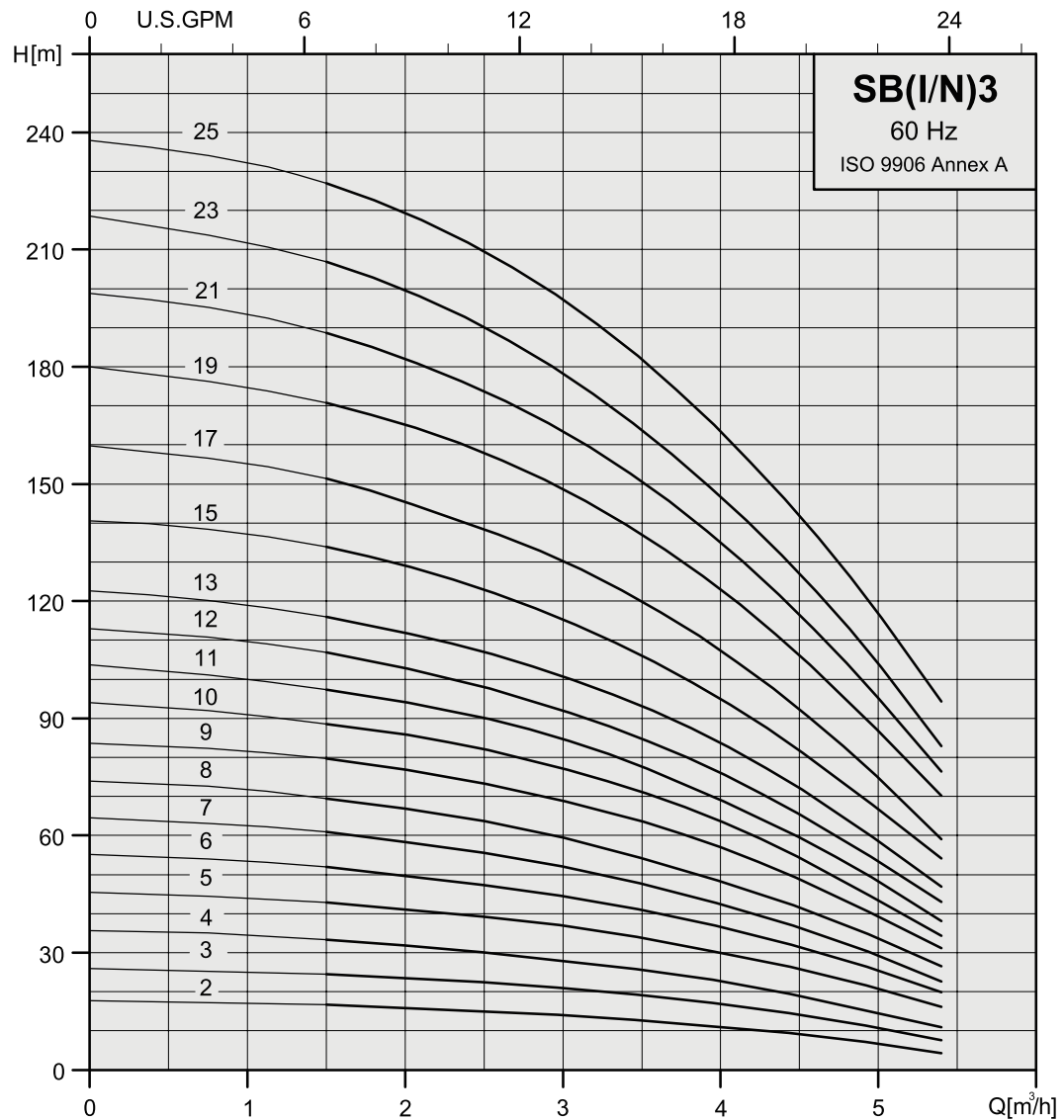
Technical data

Vertical Multistage Centrifugal In-line Pumps



STAIRS PUMPS

SB, SBI, SBN 3



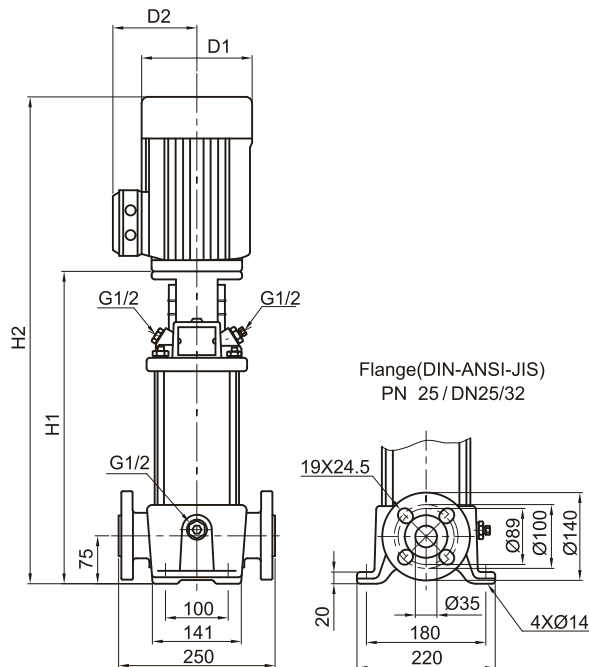
Technical data

Vertical Multistage Centrifugal In-line Pumps



STAIRS PUMPS

Dimensions and weights – SB 3



Pump type	Motor	SB				
		Dimension[mm]				Net weight [kg]
	P ₂ [kW]	DIN flange		D1	D2	
		H1	H2			
SB3-2	0.37	279	474	141	115	23.4
SB3-3	0.55	279	474	141	115	23.9
SB3-4	0.55	297	492	141	115	24.3
SB3-5	0.75	321	556	141	115	26.8
SB3-6	1.1	339	574	141	115	28.3
SB3-7	1.1	357	592	141	115	28.7
SB3-8	1.1	375	610	141	115	29.0
SB3-9	1.5	409	700	177	141	38.1
SB3-10	1.5	427	718	177	141	38.5
SB3-11	1.5	445	736	177	141	38.9
SB3-12	2.2	463	754	177	141	42.0
SB3-13	2.2	481	772	177	141	42.4
SB3-15	2.2	517	808	177	141	43.1
SB3-17	2.2	553	844	177	141	43.8
SB3-19	3	593	909	197	147	52.1
SB3-21	3	629	945	197	147	52.8
SB3-23	3	665	981	197	147	53.6
SB3-25	4	701	1027	220	161	57.7

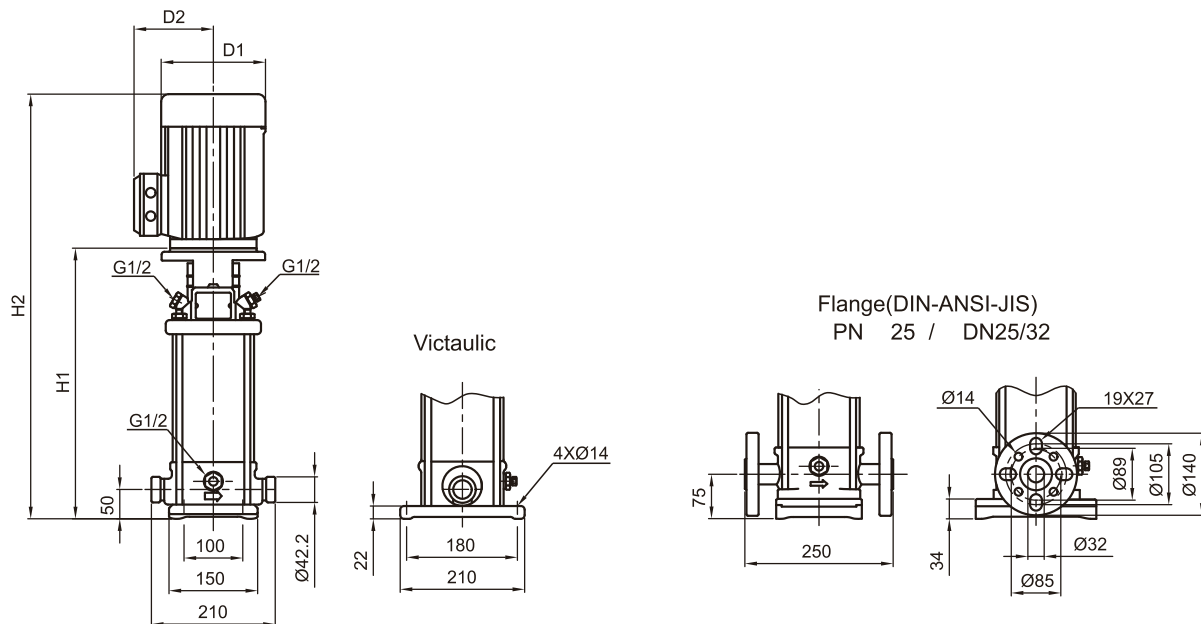
Technical data

Vertical Multistage Centrifugal In-line Pumps



STAIRS PUMPS

Dimensions and weights – SBI, SBN 3



Pump type	Motor P ₂ [kW]	SBI , SBN							
		Dimension [mm]						Net weight [kg]	
		Victaulic		DIN flange		D1	D2	Victaulic	DIN flange
		H1	H2	H1	H2				
SBI,SBN3-2	0.37	257	452	282	477	141	115	19.3	20.2
SBI,SBN3-3	0.55	257	452	282	477	141	115	19.8	20.8
SBI,SBN3-4	0.55	275	470	300	495	141	115	20.2	21.1
SBI,SBN3-5	0.75	299	534	324	559	141	115	22.6	23.5
SBI,SBN3-6	1.1	317	552	342	577	141	115	24.1	25.0
SBI,SBN3-7	1.1	335	570	360	595	141	115	24.4	25.4
SBI,SBN3-8	1.1	353	588	378	613	141	115	24.8	25.7
SBI,SBN3-9	1.5	387	678	412	703	177	141	33.9	34.9
SBI,SBN3-10	1.5	405	696	430	721	177	141	34.3	35.2
SBI,SBN3-11	1.5	423	714	448	739	177	141	34.7	35.6
SBI,SBN3-12	2.2	441	732	466	757	177	141	37.9	38.8
SBI,SBN3-13	2.2	459	750	484	775	177	141	38.3	39.2
SBI,SBN3-15	2.2	495	786	520	811	177	141	38.9	39.9
SBI,SBN3-17	2.2	531	822	556	847	177	141	39.7	40.6
SBI,SBN3-19	3	572	888	597	913	197	147	47.6	48.5
SBI,SBN3-21	3	608	924	633	949	197	147	48.3	49.3
SBI,SBN3-23	3	644	960	669	985	197	147	49.1	50.0
SBI,SBN3-25	4	680	1006	705	1031	220	161	53.2	54.1

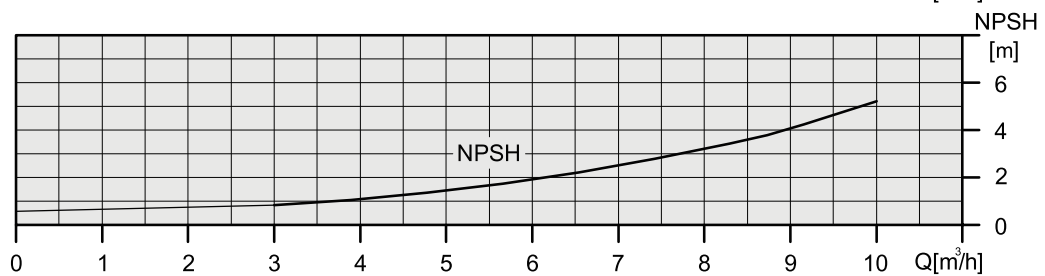
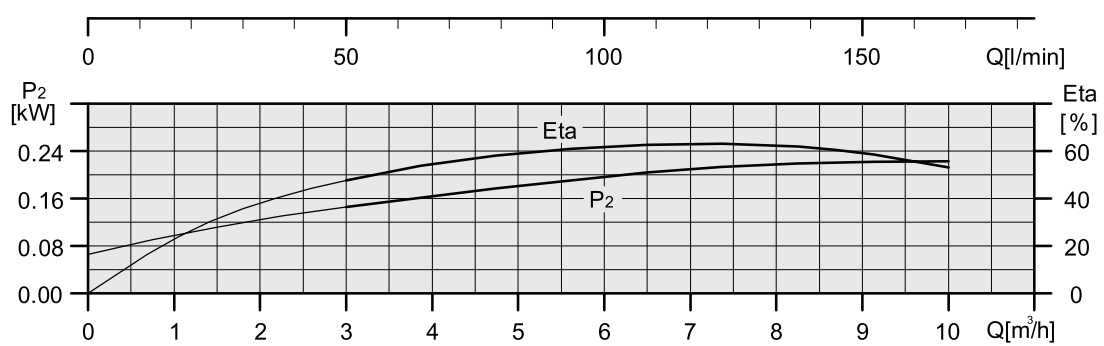
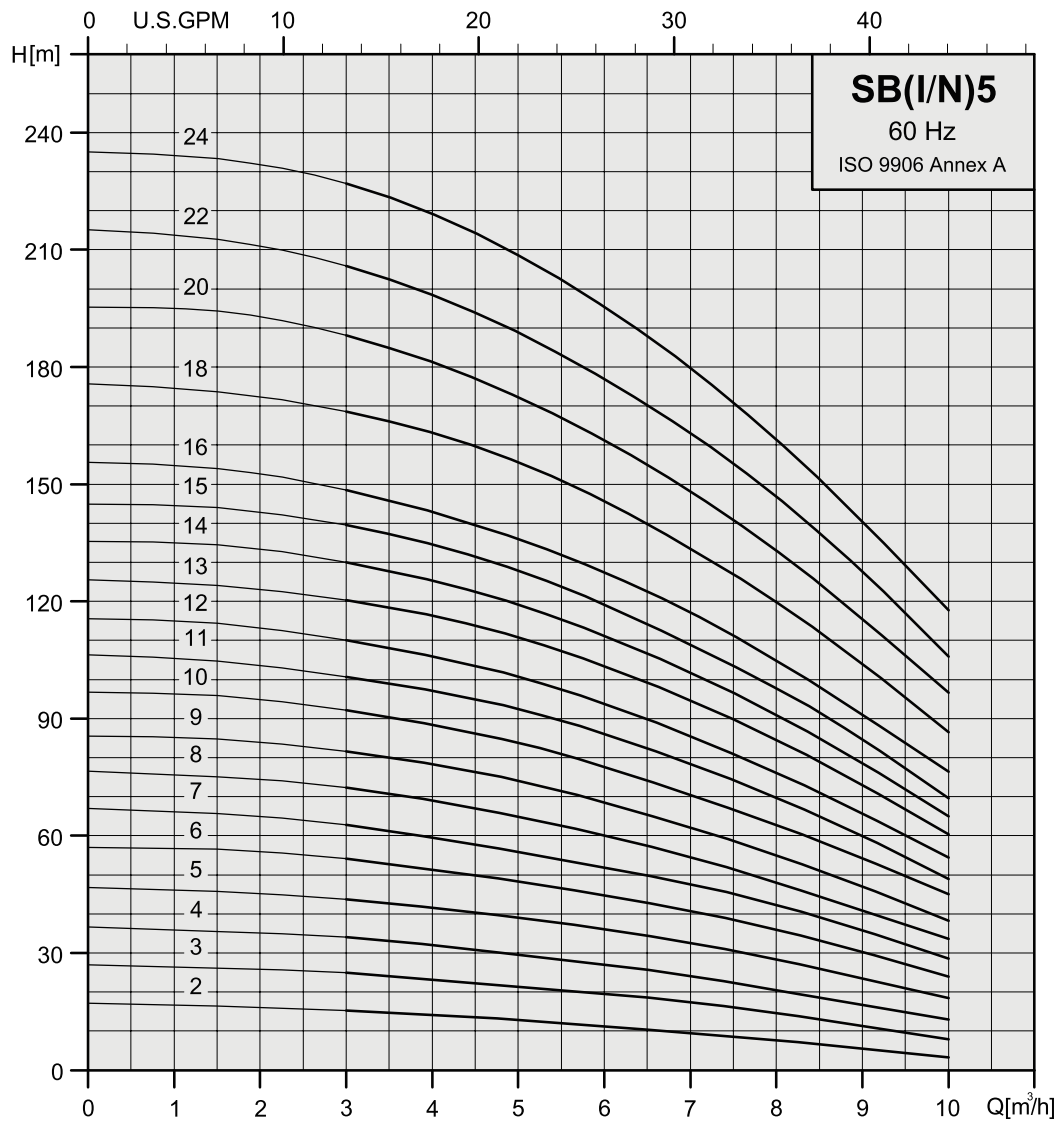
Technical data

Vertical Multistage Centrifugal In-line Pumps



STAIRS PUMPS

SB, SBI, SBN 5



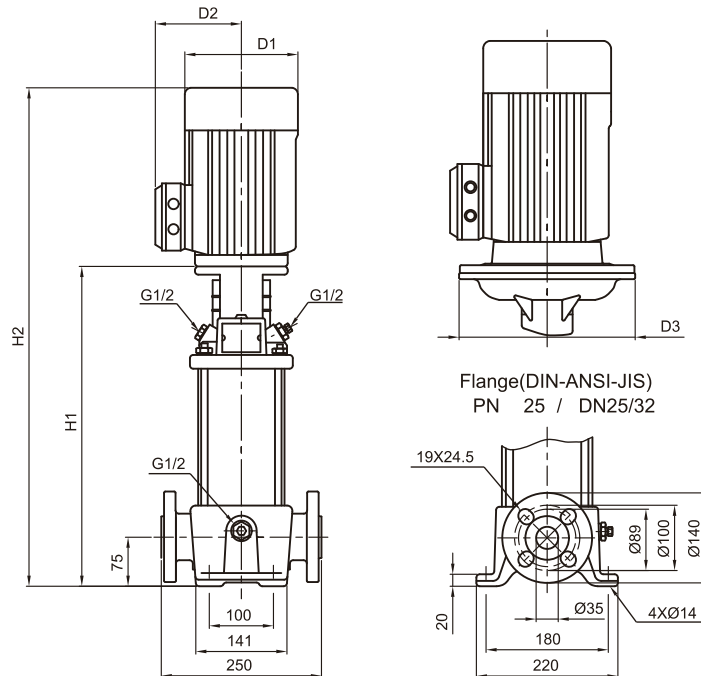
Technical data

Vertical Multistage Centrifugal In-line Pumps



STAIRS PUMPS

Dimensions and weights – SB 5



Pump type	Motor	SB					Net weight [kg]
		Dimension[mm]					
	P ₂ [kW]	DIN flange		D1	D2	D3	DIN flange
		H1	H2				
SB5-2	0.55	279	474	141	115	—	23.8
SB5-3	1.1	312	547	141	115	—	27.5
SB5-4	1.1	339	574	141	115	—	28.0
SB5-5	1.5	382	673	177	141	—	37.2
SB5-6	2.2	409	700	177	141	—	40.6
SB5-7	2.2	436	727	177	141	—	41.1
SB5-8	2.2	463	754	177	141	—	41.6
SB5-9	2.2	490	781	177	141	—	42.1
SB5-10	3	521	837	197	147	—	50.2
SB5-11	3	548	864	197	147	—	50.7
SB5-12	3	575	891	197	147	—	51.2
SB5-13	4	602	928	220	161	—	55.1
SB5-14	4	629	955	220	161	—	55.7
SB5-15	4	656	982	220	161	—	56.1
SB5-16	4	683	1009	220	161	—	56.7
SB5-18	5.5	767	1129	235	197	300	77.9
SB5-20	5.5	821	1183	235	197	300	79.1
SB5-22	5.5	875	1237	235	197	300	80.0
SB5-24	7.5	929	1327	235	197	300	89.6

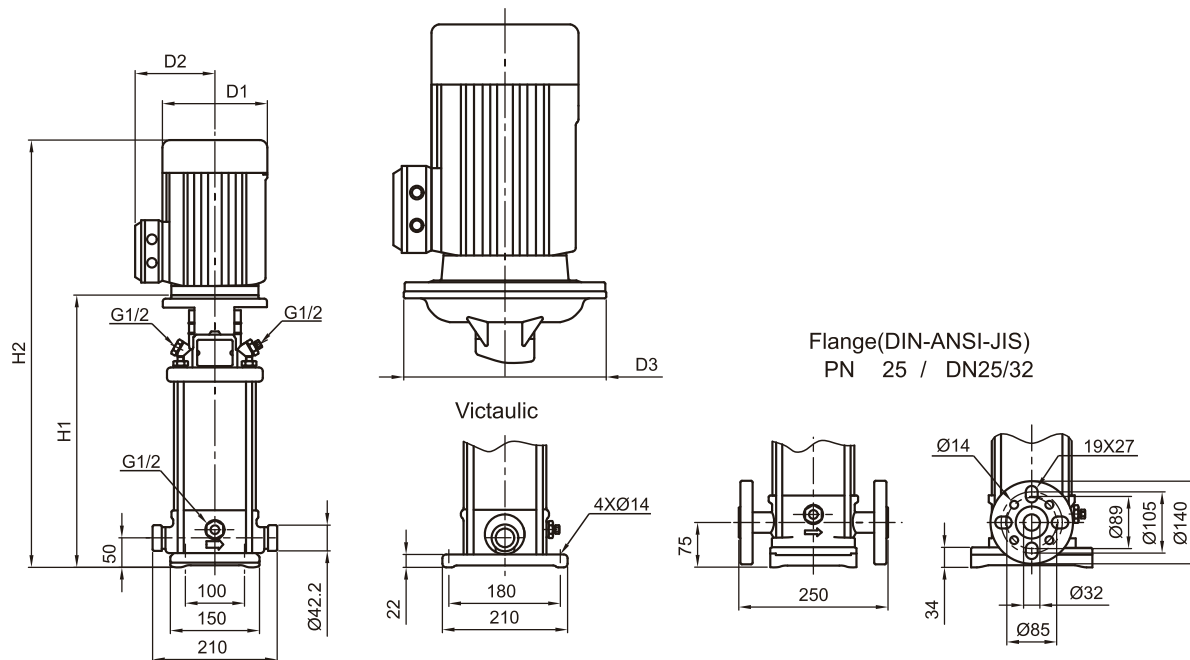
Technical data

Vertical Multistage Centrifugal In-line Pumps



STAIRS PUMPS

Dimensions and weights – SBI, SBN 5



Pump type	Motor P ₂ [kW]	SBI, SBN								
		Dimension [mm]							Net weight [kg]	
		Victaulic		DIN flange		D1	D2	D3	Victaulic	DIN flange
		H1	H2	H1	H2					
SBI,SBN 5-2	0.55	257	452	282	477	141	115	—	19.7	20.6
SBI,SBN 5-3	1.1	290	525	315	550	141	115	—	23.4	24.4
SBI,SBN 5-4	1.1	317	552	342	577	141	115	—	24.0	24.9
SBI,SBN 5-5	1.5	360	651	385	676	177	141	—	33.3	34.2
SBI,SBN 5-6	2.2	387	678	412	703	177	141	—	36.6	37.6
SBI,SBN 5-7	2.2	414	705	439	730	177	141	—	37.1	38.1
SBI,SBN 5-8	2.2	441	732	466	757	177	141	—	37.7	38.6
SBI,SBN 5-9	2.2	468	759	493	784	177	141	—	38.2	39.2
SBI,SBN 5-10	3	500	816	525	841	197	147	—	46.0	46.9
SBI,SBN 5-11	3	527	843	552	868	197	147	—	46.5	47.4
SBI,SBN 5-12	3	554	870	579	895	197	147	—	47.0	48.0
SBI,SBN 5-13	4	581	907	606	932	220	161	—	51.0	51.9
SBI,SBN 5-14	4	608	934	633	959	220	161	—	51.5	52.5
SBI,SBN 5-15	4	635	961	660	986	220	161	—	52.1	53.0
SBI,SBN 5-16	4	662	988	687	1013	220	161	—	52.6	53.6
SBI,SBN 5-18	5.5	745	1107	770	1132	235	197	300	73.8	74.8
SBI,SBN 5-20	5.5	799	1161	824	1186	235	197	300	75.1	76.0
SBI,SBN 5-22	5.5	853	1215	878	1240	235	197	300	75.9	76.9
SBI,SBN 5-24	7.5	907	1305	932	1330	235	197	300	85.6	86.5

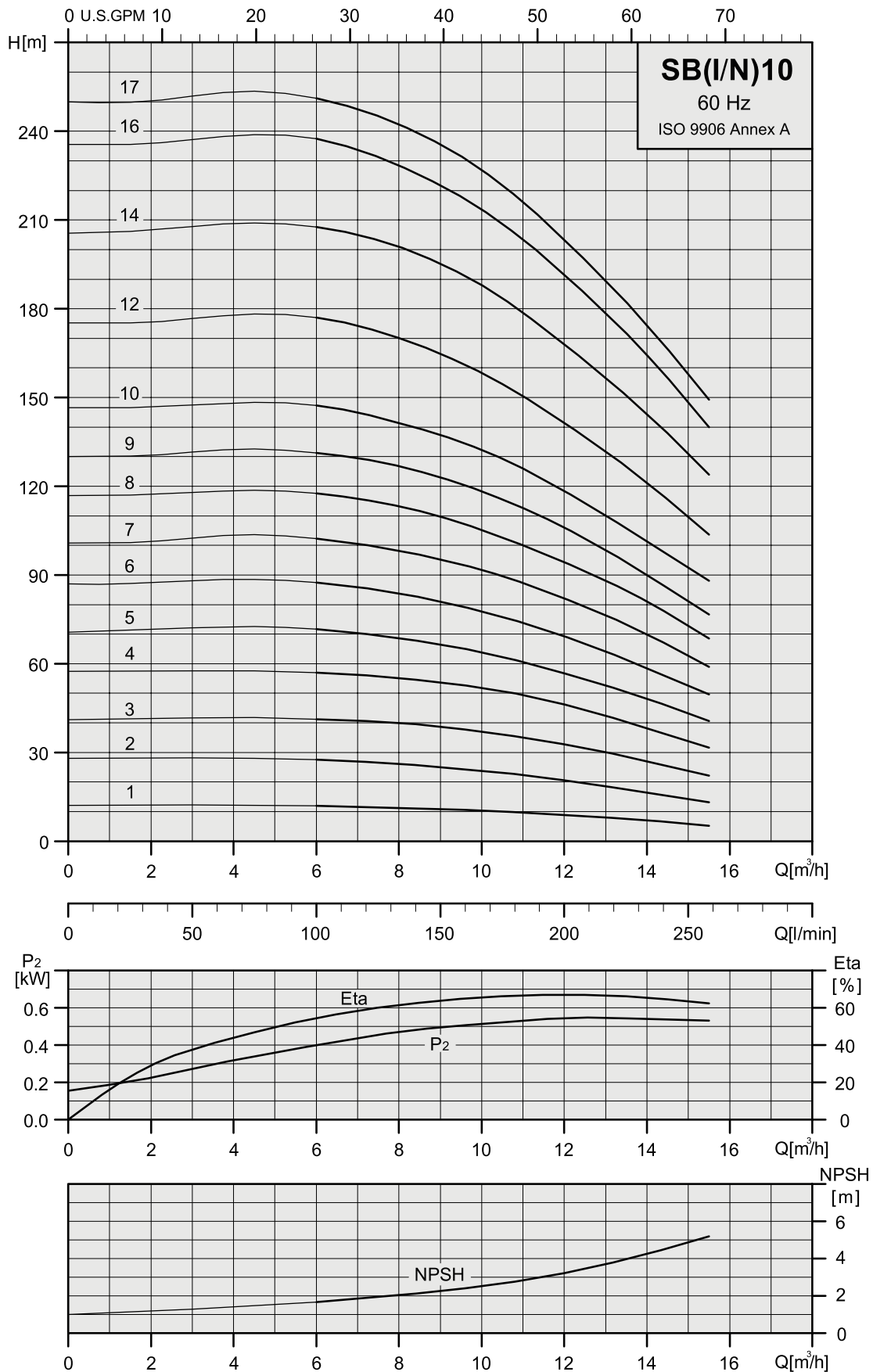
Technical data

Vertical Multistage Centrifugal In-line Pumps



STAIRS PUMPS

SB, SBI, SBN 10



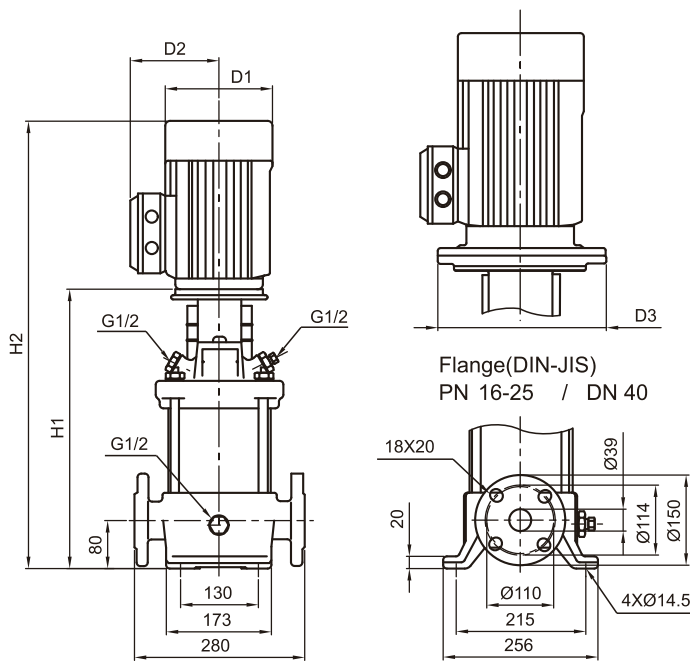
Technical data

Vertical Multistage Centrifugal In-line Pumps



STAIRS PUMPS

Dimensions and weights – SB 10



Pump type	Motor	SB					
		Dimension[mm]					Net weight [kg]
	P ₂ [kW]	DIN flange		D1	D2	D3	
		H1	H2				
SB 10-1	0.75	347	582	141	115	—	38.0
SB 10-2	1.5	363	654	177	141	—	48.0
SB 10-3	2.2	393	684	177	141	—	51.9
SB 10-4	3	428	744	197	147	—	60.7
SB 10-5	3	458	774	197	147	—	61.7
SB 10-6	4	488	814	220	161	—	66.2
SB 10-7	5.5	550	912	235	197	300	93.4
SB 10-8	5.5	580	942	235	197	300	94.5
SB 10-9	5.5	610	972	235	197	300	95.5
SB 10-10	7.5	640	1038	235	197	300	105.2
SB 10-12	7.5	700	1098	235	197	300	107.2
SB 10-14	11	837	1342	318	245	350	146.0
SB 10-16	11	897	1402	318	245	350	148.1
SB 10-17	11	927	1432	318	245	350	149.2

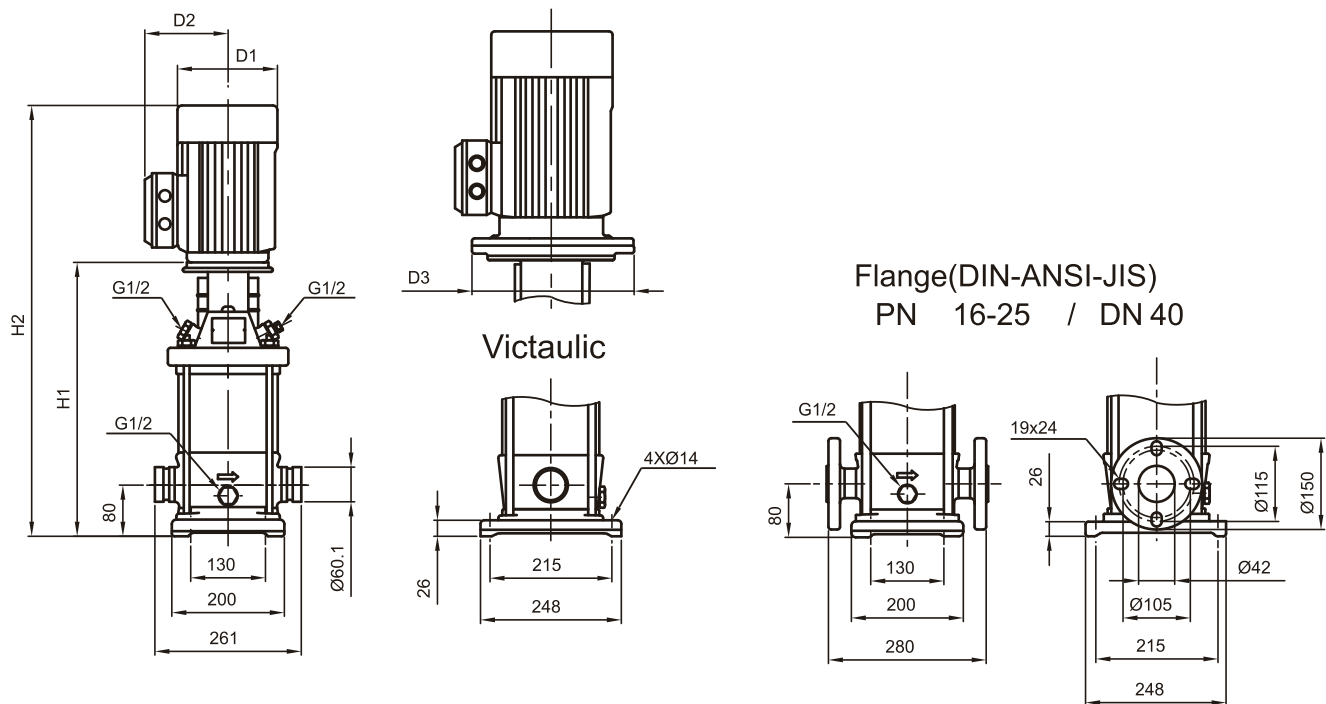
Technical data

Vertical Multistage Centrifugal In-line Pumps



STAIRS PUMPS

Dimensions and weights SBI, SBN 10



Pump type	Motor P ₂ [kW]	SBI, SBN								
		Dimension [mm]						Net weight [kg]		
		Victaulic		DIN flange		D1	D2	D3	Victaulic	DIN flange
		H1	H2	H1	H2					
SBI,SBN10-1	0.75	357	592	357	592	141	115	—	34.1	34.0
SBI,SBN10-2	1.5	373	664	373	664	177	141	—	44.1	44.0
SBI,SBN10-3	2.2	403	694	403	694	177	141	—	47.9	47.8
SBI,SBN10-4	3	438	754	438	754	197	147	—	55.9	55.8
SBI,SBN10-5	3	468	784	468	784	197	147	—	57.0	56.8
SBI,SBN10-6	4	498	824	498	824	220	161	—	61.4	61.3
SBI,SBN10-7	5.5	560	922	560	922	235	197	300	89.8	89.7
SBI,SBN10-8	5.5	590	952	590	952	235	197	300	90.9	90.7
SBI,SBN10-9	5.5	620	982	620	982	235	197	300	91.9	91.7
SBI,SBN10-10	7.5	650	1048	650	1048	235	197	300	101.5	101.4
SBI,SBN10-12	7.5	710	1108	710	1108	235	197	300	103.6	103.4
SBI,SBN10-14	11	847	1352	847	1352	318	245	350	142.7	142.5
SBI,SBN10-16	11	907	1412	907	1412	318	245	350	144.7	144.6
SBI,SBN10-17	11	937	1442	937	1442	318	245	350	145.9	145.7

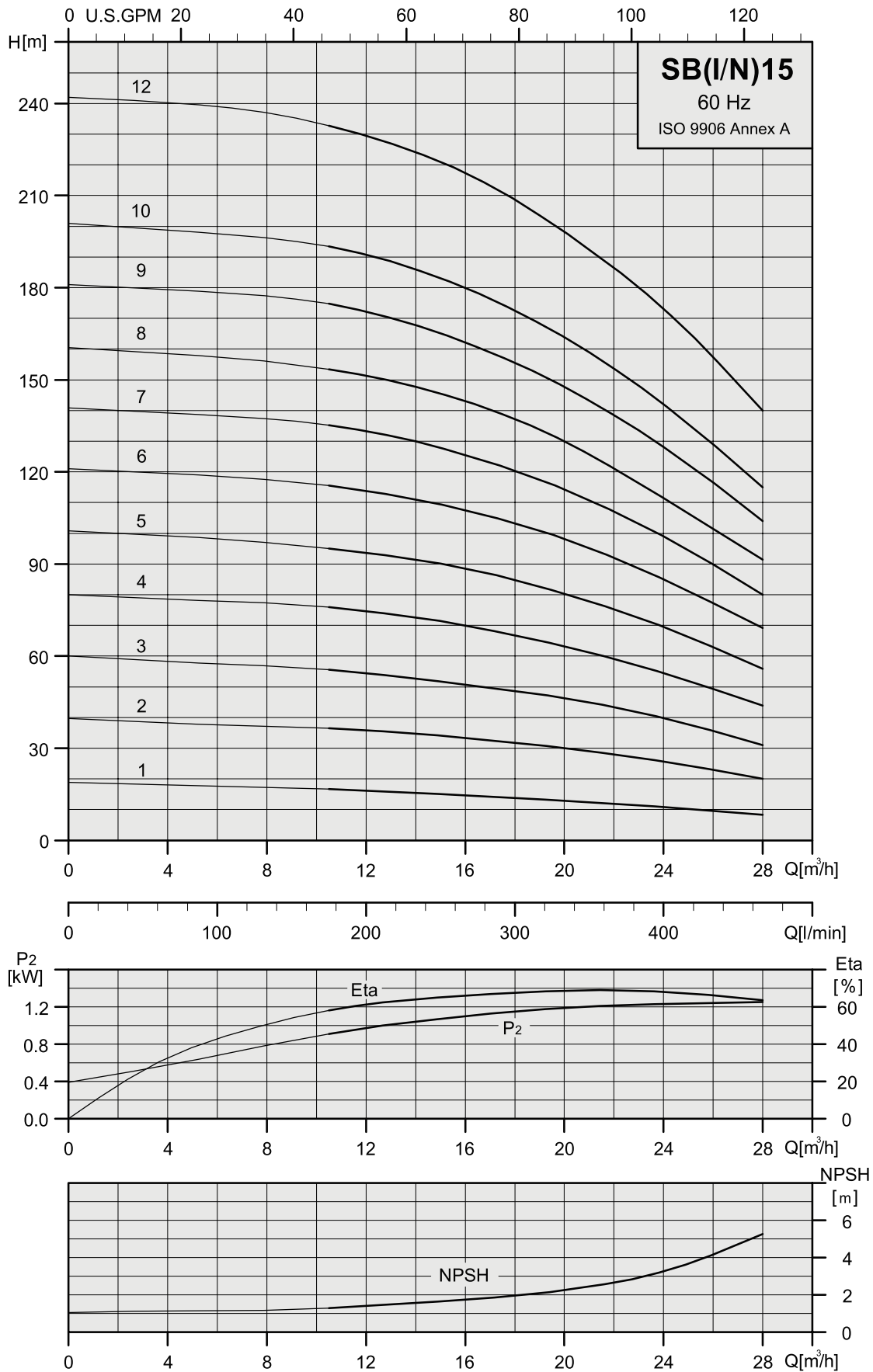
Technical data

Vertical Multistage Centrifugal In-line Pumps



STAIRS PUMPS

SB, SBI, SBN 15



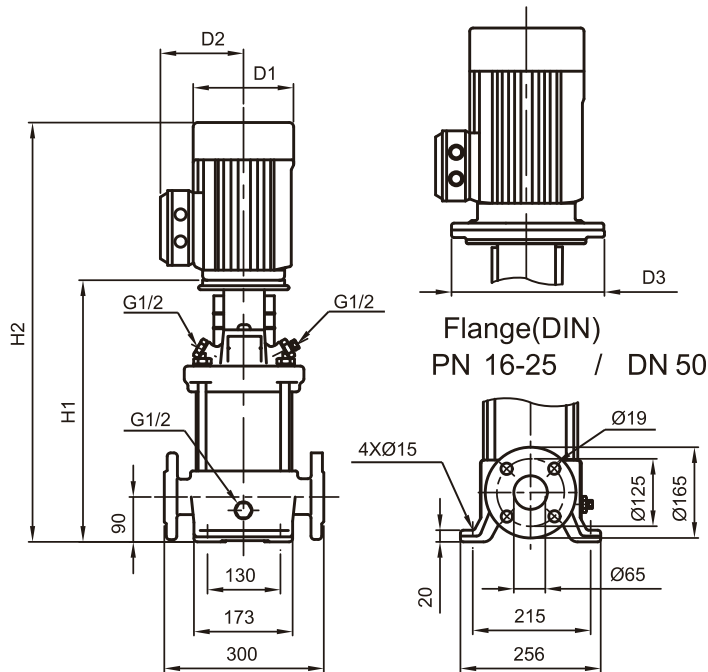
Technical data

Vertical Multistage Centrifugal In-line Pumps



STAIRS PUMPS

Dimensions and weights – SB 15



Pump type	Motor	SB					
		Dimension[mm]					Net weight [kg]
	P ₂ [kW]	DIN flange		D1	D2	D3	
		H1	H2				
SB 15-1	1.5	415	706	177	141	—	52.6
SB 15-2	3	420	736	197	147	—	63.5
SB 15-3	4	465	791	220	161	—	68.3
SB 15-4	5.5	542	904	235	197	300	96.0
SB 15-5	7.5	587	985	235	197	300	106.0
SB 15-6	11	709	1214	318	245	350	144.2
SB 15-7	11	754	1259	318	245	350	145.7
SB 15-8	11	799	1304	318	245	350	147.1
SB 15-9	15	844	1354	318	245	350	158.6
SB 15-10	15	889	1399	318	245	350	160.1
SB 15-12	18.5	979	1529	318	245	350	188.0

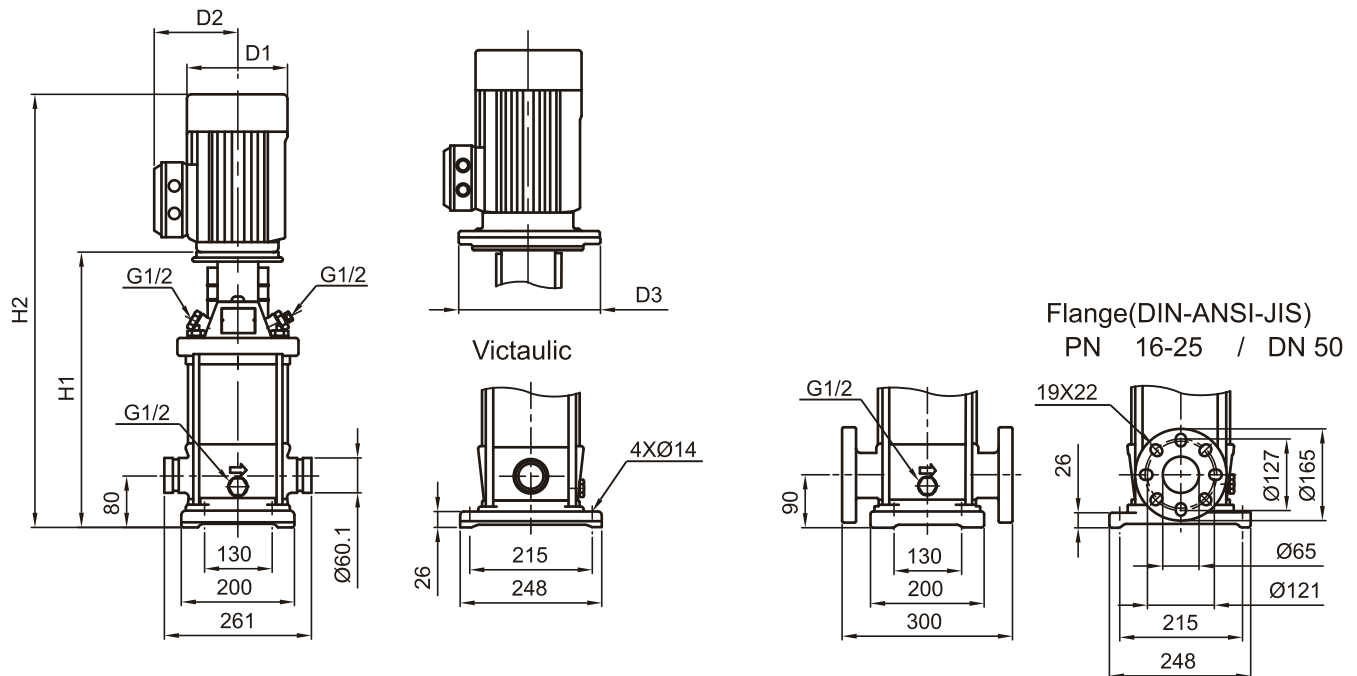
Technical data

Vertical Multistage Centrifugal In-line Pumps



STAIRS PUMPS

Dimensions and weights – SBI, SBN 15



Pump type	Motor P ₂ [kW]	SBI , SBN								
		Dimension [mm]							Net weight [kg]	
		Victaulic		DIN flange		D1	D2	D3	Victaulic	DIN flange
		H1	H2	H1	H2					
SBI,SBN15-1	1.5	403	694	413	704	177	141	—	44.6	45.3
SBI,SBN15-2	3	408	724	418	734	197	147	—	54.7	55.3
SBI,SBN15-3	4	453	779	463	789	220	161	—	59.5	60.1
SBI,SBN15-4	5.5	530	892	540	902	235	197	300	88.3	88.9
SBI,SBN15-5	7.5	575	973	585	983	235	197	300	98.3	99.0
SBI,SBN15-6	11	697	1202	707	1212	318	245	350	136.9	137.5
SBI,SBN15-7	11	742	1247	752	1257	318	245	350	138.3	138.9
SBI,SBN15-8	11	787	1292	797	1302	318	245	350	139.7	140.3
SBI,SBN15-9	15	832	1342	842	1352	318	245	350	151.3	151.9
SBI,SBN15-10	15	877	1387	887	1397	318	245	350	152.8	153.4
SBI,SBN15-12	18.5	967	1517	977	1527	318	245	350	180.5	181.2

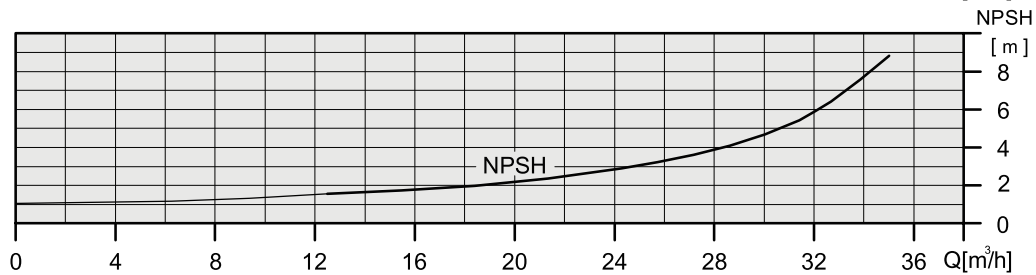
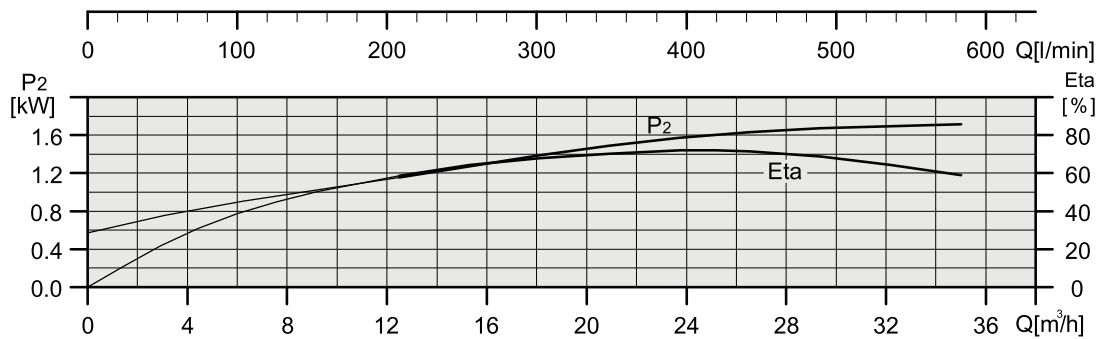
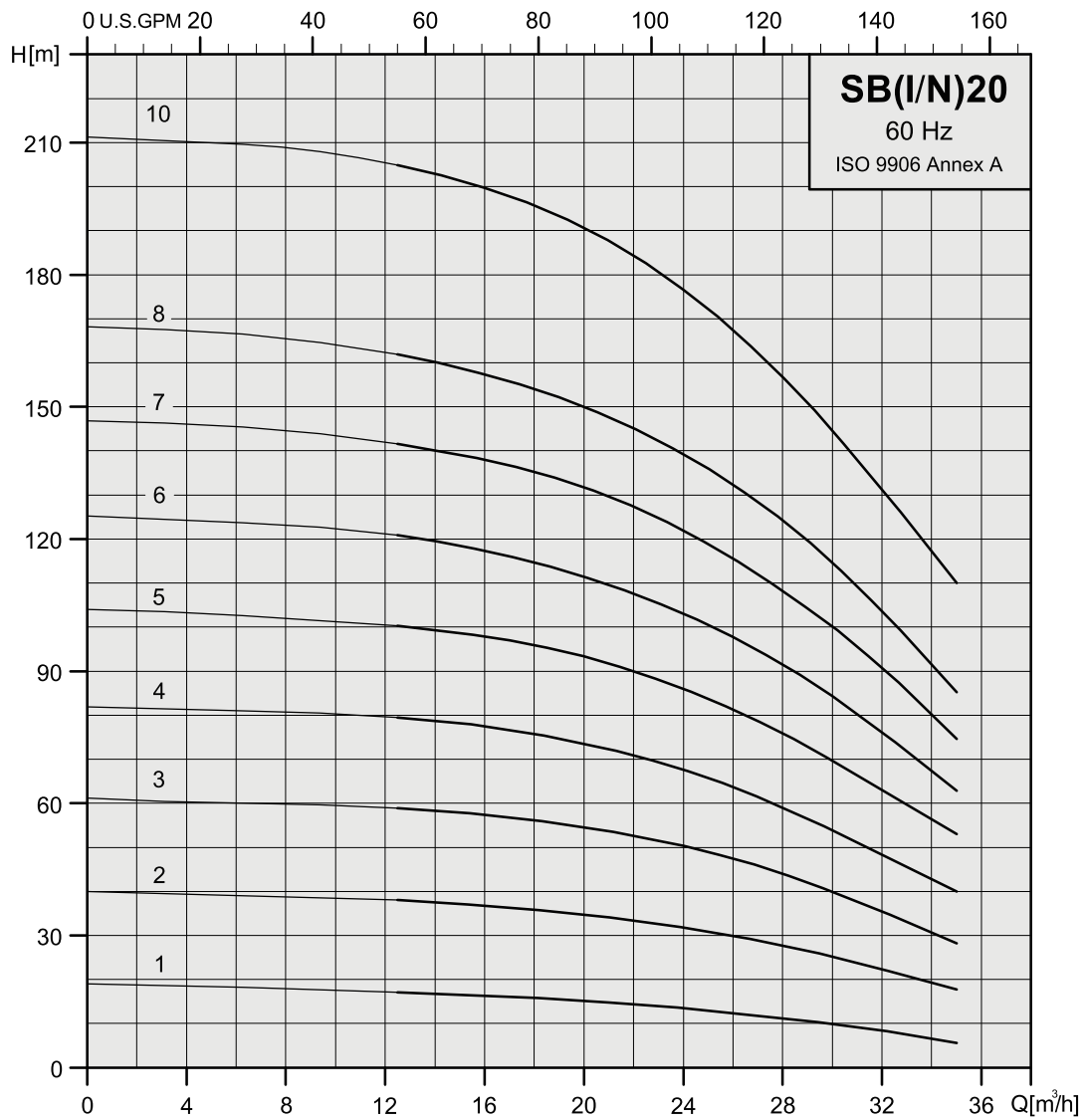
Technical data

Vertical Multistage Centrifugal In-line Pumps



STAIRS PUMPS

SB, SBI, SBN 20



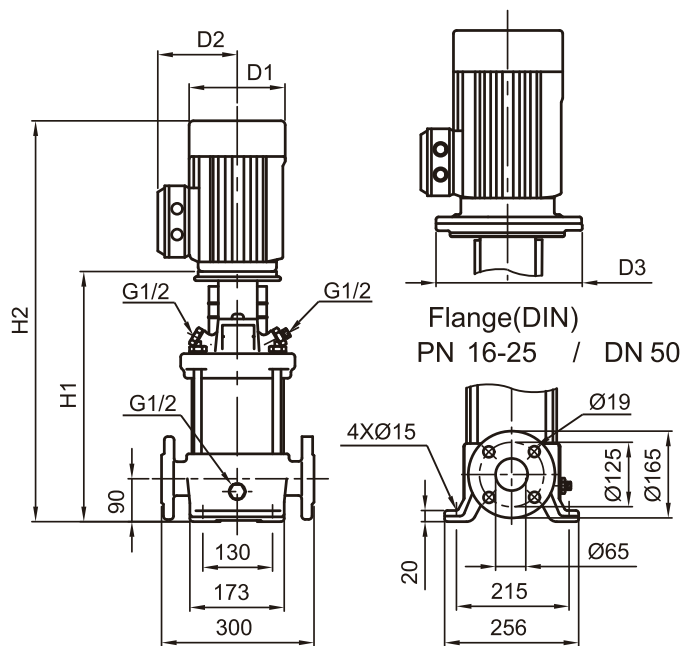
Technical data

Vertical Multistage Centrifugal In-line Pumps



STAIRS PUMPS

Dimensions and weights – SB 20



Pump type	Motor	SB					
		Dimension[mm]					Net weight [kg]
	P ₂ [kW]	DIN flange		D1	D2	D3	
		H1	H2				
SB 20-1	2.2	415	706	177	141	—	55.4
SB 20-2	4	420	746	220	161	—	66.9
SB 20-3	5.5	497	859	235	197	300	94.6
SB 20-4	7.5	542	940	235	197	300	104.6
SB 20-5	11	664	1169	318	245	350	142.7
SB 20-6	11	709	1214	318	245	350	144.2
SB 20-7	15	754	1264	318	245	350	155.8
SB 20-8	15	799	1309	318	245	350	157.2
SB 20-10	18.5	889	1439	318	245	350	185.0

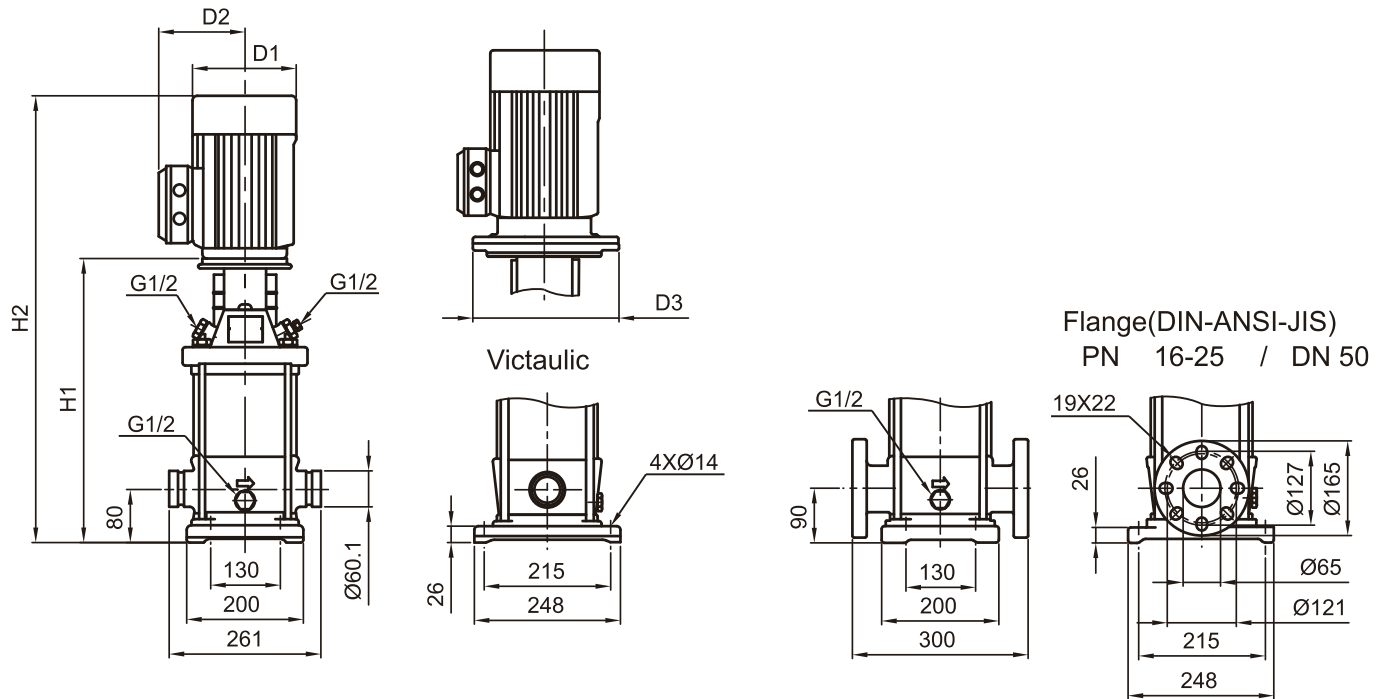
Technical data

Vertical Multistage Centrifugal In-line Pumps



STAIRS PUMPS

Dimensions and weights – SBI, SBN 20



Pump type	Motor P ₂ [kW]	SBI, SBN								
		Dimension [mm]							Net weight [kg]	
		Victaulic		DIN flange		D1	D2	D3	Victaulic	DIN flange
H1	H2	H1	H2							
SBI,SBN20-1	2.2	405	696	415	706	177	141	—	47.4	48.1
SBI,SBN20-2	4	410	736	420	746	220	161	—	58.1	58.7
SBI,SBN20-3	5.5	487	849	497	859	235	197	300	86.9	87.5
SBI,SBN20-4	7.5	532	930	542	940	235	197	300	96.9	97.5
SBI,SBN20-5	11	654	1159	664	1169	318	245	350	135.4	136.0
SBI,SBN20-6	11	699	1204	709	1214	318	245	350	136.9	137.5
SBI,SBN20-7	15	744	1254	754	1264	318	245	350	148.4	149.0
SBI,SBN20-8	15	789	1299	799	1309	318	245	350	149.8	150.4
SBI,SBN20-10	18.5	879	1429	889	1439	318	245	350	177.7	178.3

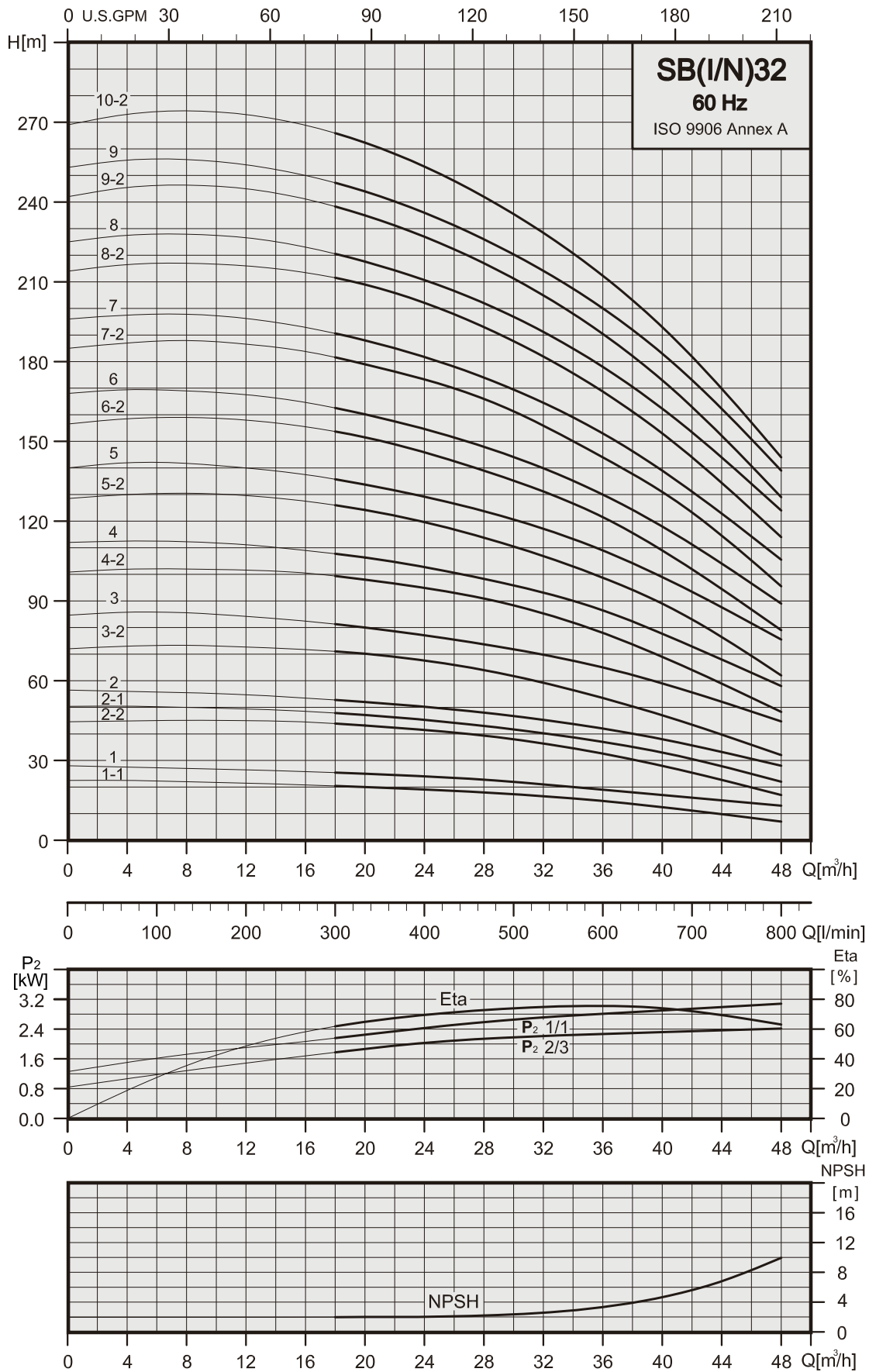
Technical data

Vertical Multistage Centrifugal In-line Pumps



STAIRS PUMPS

SB, SBI, SBN 32



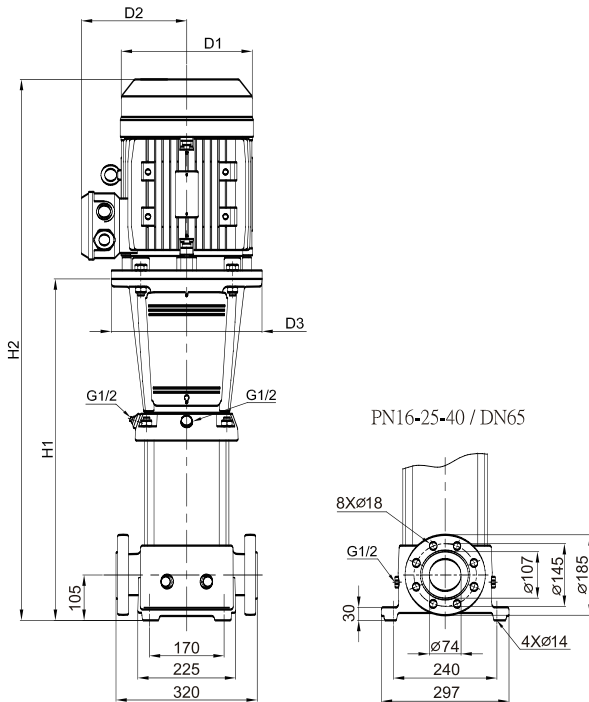
Technical data

Vertical Multistage Centrifugal In-line Pumps



STAIRS PUMPS

Dimensions and weights-SB32



Pump type	Motor P ₂ [kW]	SB					Net weight [kg]
		Dimension[mm]					
		DIN flange		D1	D2	D3	DIN flange
H1	H2						
SB 32-1-1	2.2	504	795	177	141	280	74.3
SB 32-1	3	504	820	197	147	280	81.1
SB 32-2-2	5.5	574	900	235	197	300	103.6
SB 32-2-1	5.5	574	936	235	197	300	103.7
SB 32-2	7.5	574	972	235	197	300	112.3
SB 32-3-2	11	754	1259	318	245	350	157.0
SB 32-3	11	754	1259	318	245	350	157.1
SB 32-4-2	11	824	1329	318	245	350	160.2
SB 32-4	15	824	1334	318	245	350	170.3
SB 32-5-2	15	894	1404	318	245	350	173.4
SB 32-5	18.5	894	1444	318	245	350	198.3
SB 32-6-2	18.5	964	1514	318	245	350	201.3
SB 32-6	18.5	964	1514	318	245	350	201.3
SB 32-7-2	22	1034	1614	358	265	350	247.2
SB 32-7	22	1034	1614	358	265	350	247.2
SB 32-8-2	30	1104	1764	420	295	400	315.1
SB 32-8	30	1104	1764	420	295	400	315.1
SB 32-9-2	30	1174	1834	420	295	400	317.8
SB 32-9	30	1174	1834	420	295	400	317.8
SB 32-10-2	30	1244	1904	420	295	400	320.5

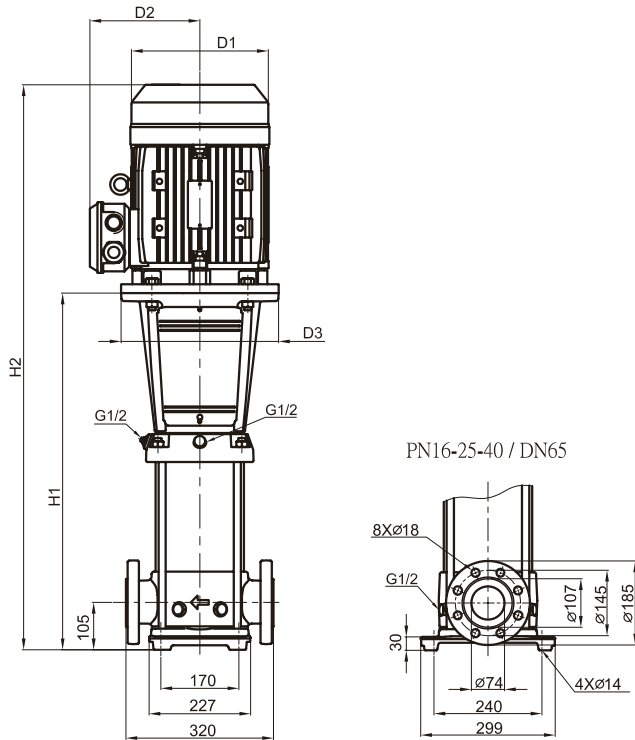
Technical data

Vertical Multistage Centrifugal In-line Pumps



STAIRS PUMPS

Dimensions and weights-SBI,SBN32



Pump type	Motor P ₂ [kW]	SBI,SBN					Net weight [kg]
		Dimension[mm]					
		DIN flange		D1	D2	D3	
H1	H2						
SBI,SBN 32-1-1	2.2	504	795	177	141	280	69.3
SBI,SBN 32-1	3	504	820	197	147	280	76.0
SBI,SBN 32-2-2	5.5	574	900	235	197	300	98.6
SBI,SBN 32-2-1	5.5	574	936	235	197	300	98.6
SBI,SBN 32-2	7.5	574	972	235	197	300	107.2
SBI,SBN 32-3-2	11	754	1259	318	245	350	152.0
SBI,SBN 32-3	11	754	1259	318	245	350	152.0
SBI,SBN 32-4-2	11	824	1329	318	245	350	155.1
SBI,SBN 32-4	15	824	1334	318	245	350	165.2
SBI,SBN 32-5-2	15	894	1404	318	245	350	168.3
SBI,SBN 32-5	18.5	894	1444	318	245	350	193.3
SBI,SBN 32-6-2	18.5	964	1514	318	245	350	196.3
SBI,SBN 32-6	18.5	964	1514	318	245	350	196.4
SBI,SBN 32-7-2	22	1034	1614	358	265	350	242.2
SBI,SBN 32-7	22	1034	1614	358	265	350	242.3
SBI,SBN 32-8-2	30	1104	1764	420	295	400	310.1
SBI,SBN 32-8	30	1104	1764	420	295	400	310.1
SBI,SBN 32-9-2	30	1174	1834	420	295	400	312.8
SBI,SBN 32-9	30	1174	1834	420	295	400	312.9
SBI,SBN 32-10-2	30	1244	1904	420	295	400	315.5

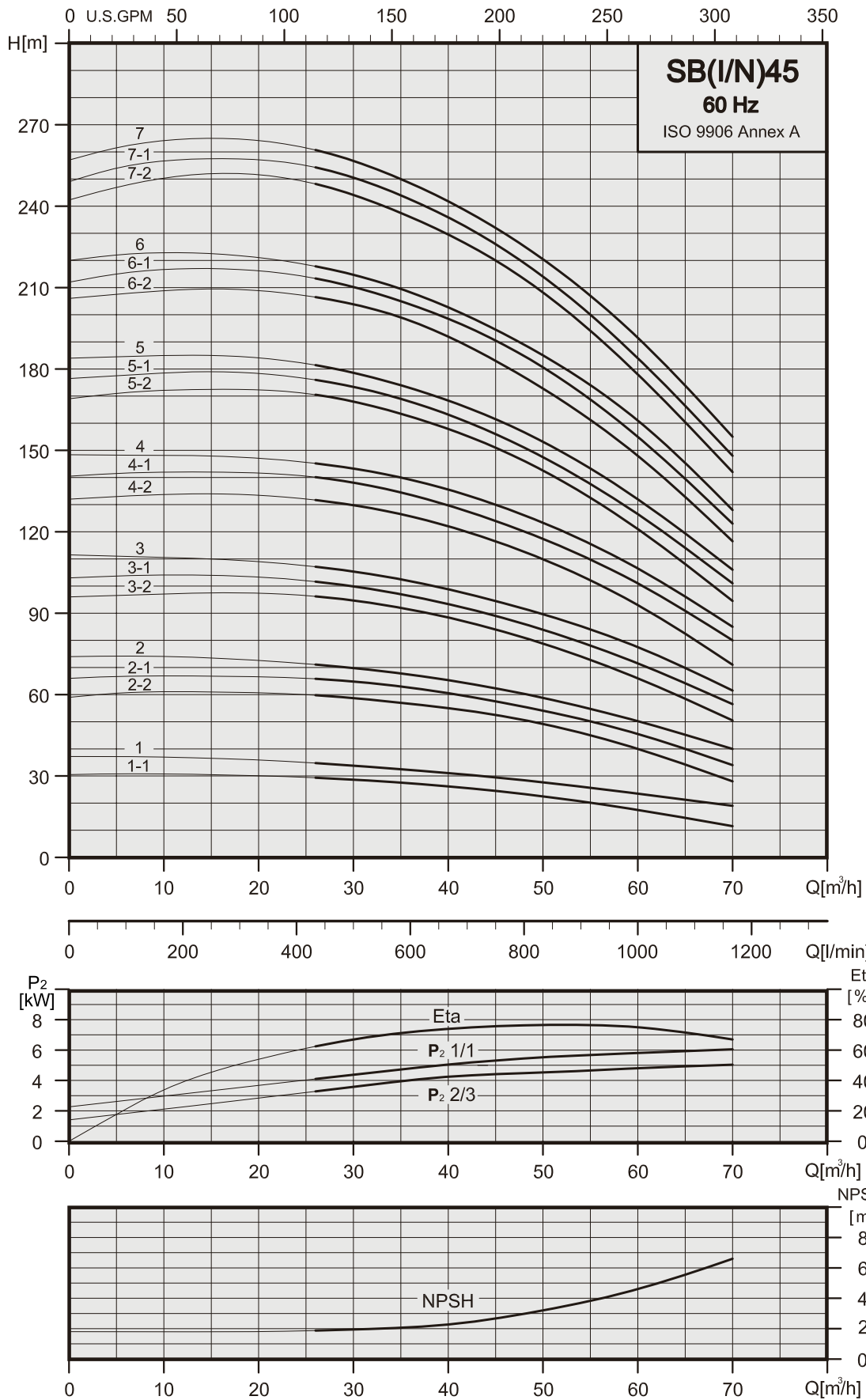
Technical data

Vertical Multistage Centrifugal In-line Pumps



STAIRS PUMPS

SB, SBI, SBN 45



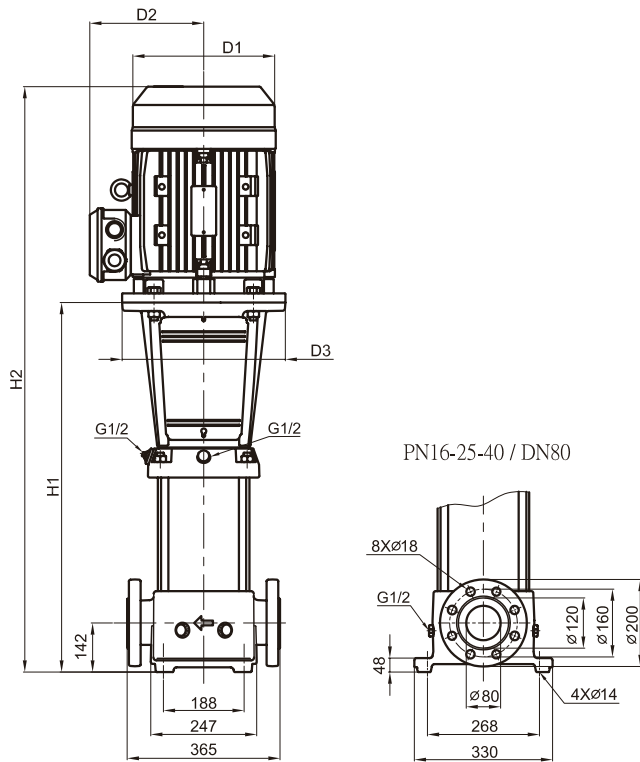
Technical data

Vertical Multistage Centrifugal In-line Pumps



STAIRS PUMPS

Dimensions and weights-SB45



Pump type	Motor P ₂ [kW]	SB					Net weight [kg]
		Dimension[mm]					
		DIN flange		D1	D2	D3	DIN flange
H1	H2						
SB 45-1-1	5.5	561	923	235	197	300	111.2
SB 45-1	7.5	561	959	235	197	300	119.8
SB 45-2-2	11	751	1256	318	245	350	165.2
SB 45-2-1	11	751	1256	318	245	350	165.2
SB 45-2	15	751	1261	318	245	350	175.3
SB 45-3-2	18.5	831	1381	318	245	350	204.0
SB 45-3-1	18.5	831	1381	318	245	350	204.0
SB 45-3	18.5	831	1381	318	245	350	204.0
SB 45-4-2	22	911	1491	358	265	350	250.5
SB 45-4-1	30	911	1571	420	295	400	315.1
SB 45-4	30	911	1571	420	295	400	315.1
SB 45-5-2	30	991	1651	420	295	400	318.9
SB 45-5-1	30	991	1651	420	295	400	318.9
SB 45-5	30	991	1651	420	295	400	318.9
SB 45-6-2	37	1071	1731	420	295	400	335.7
SB 45-6-1	37	1071	1731	420	295	400	335.7
SB 45-6	37	1071	1731	420	295	400	335.7
SB 45-7-2	45	1151	1841	470	325	450	397.5
SB 45-7-1	45	1151	1841	470	325	450	397.5
SB 45-7	45	1151	1841	470	325	450	397.6

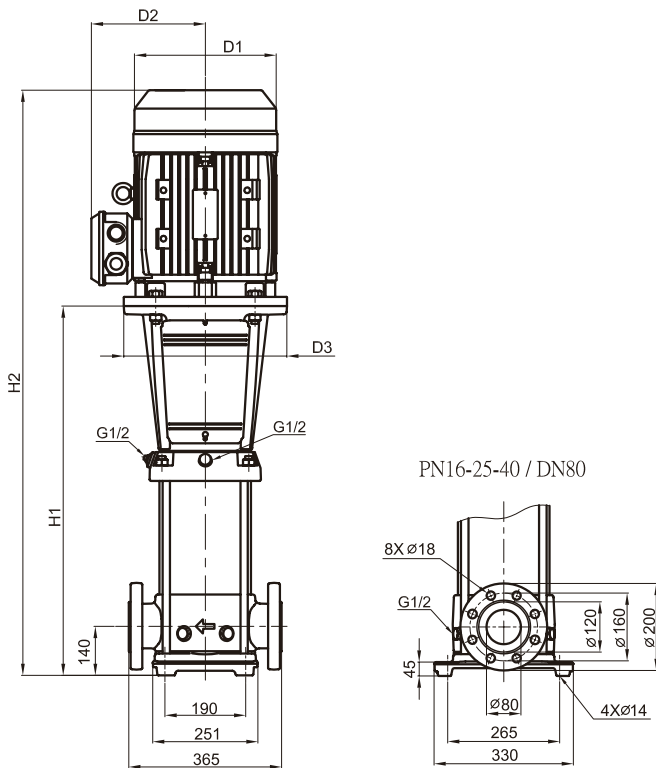
Technical data

Vertical Multistage Centrifugal In-line Pumps



STAIRS PUMPS

Dimensions and weights-SBI,SBN45



Pump type	Motor P ₂ [kW]	SBI,SBN					Net weight [kg]
		Dimension[mm]					
		DIN flange		D1	D2	D3	
H1	H2						
SBI,SBN45-1-1	5.5	559	921	235	197	300	102.4
SBI,SBN 45-1	7.5	559	957	235	197	300	111.0
SBI,SBN 45-2-2	11	749	1254	318	245	350	156.4
SBI,SBN 45-2-1	11	749	1254	318	245	350	156.4
SBI,SBN 45-2	15	749	1259	318	245	350	166.5
SBI,SBN 45-3-2	18.5	829	1379	318	245	350	195.2
SBI,SBN 45-3-1	18.5	829	1379	318	245	350	195.2
SBI,SBN 45-3	18.5	829	1379	318	245	350	195.2
SBI,SBN 45-4-2	22	909	1489	358	265	350	241.7
SBI,SBN 45-4-1	30	909	1569	420	295	400	306.3
SBI,SBN 45-4	30	909	1569	420	295	400	306.3
SBI,SBN 45-5-2	30	989	1649	420	295	400	310.1
SBI,SBN 45-5-1	30	989	1649	420	295	400	310.1
SBI,SBN 45-5	30	989	1649	420	295	400	310.1
SBI,SBN 45-6-2	37	1069	1729	420	295	400	326.9
SBI,SBN 45-6-1	37	1069	1729	420	295	400	326.9
SBI,SBN 45-6	37	1069	1729	420	295	400	326.9
SBI,SBN 45-7-2	45	1149	1839	470	325	450	388.7
SBI,SBN 45-7-1	45	1149	1839	470	325	450	388.8
SBI,SBN 45-7	45	1149	1839	470	325	450	388.8

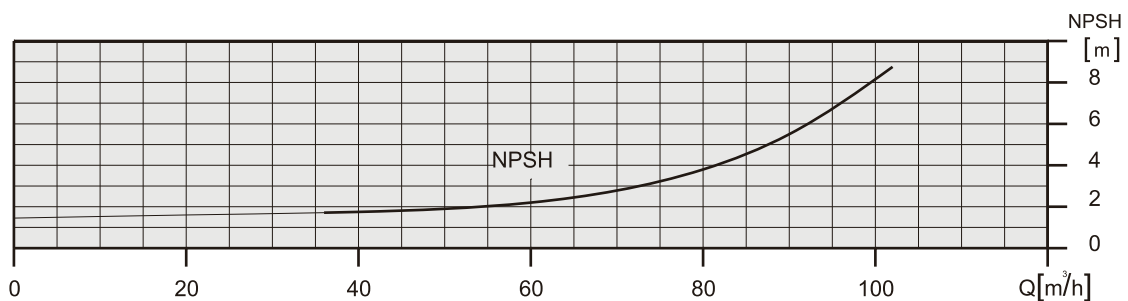
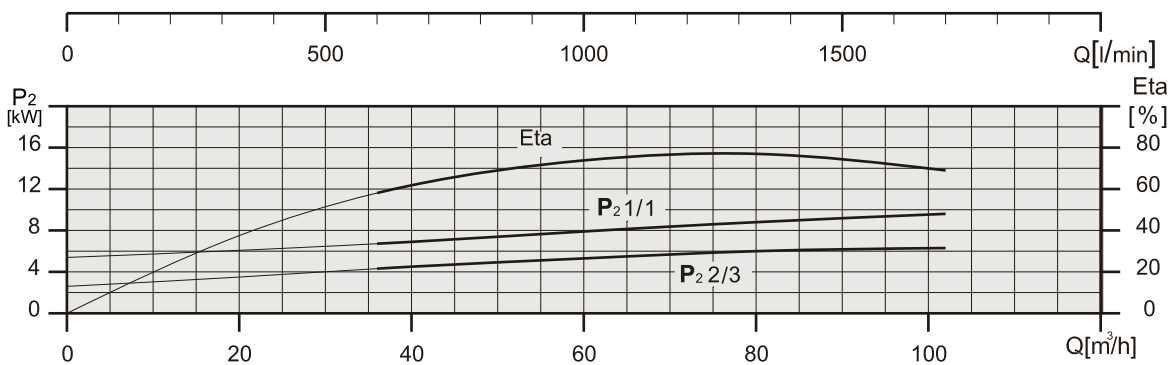
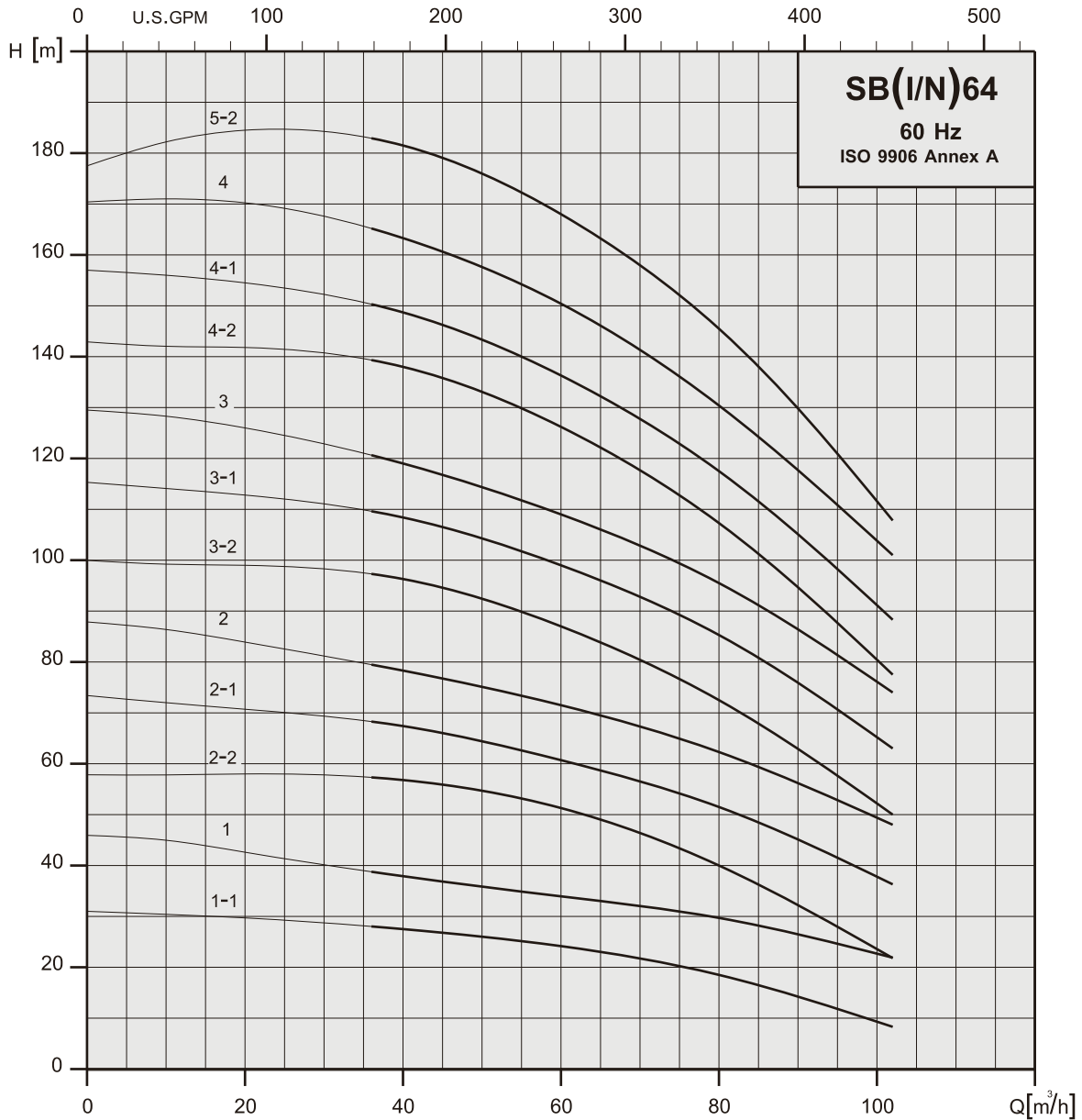
Technical data

Vertical Multistage Centrifugal In-line Pumps



STAIRS PUMPS

SB, SBI, SBN 64



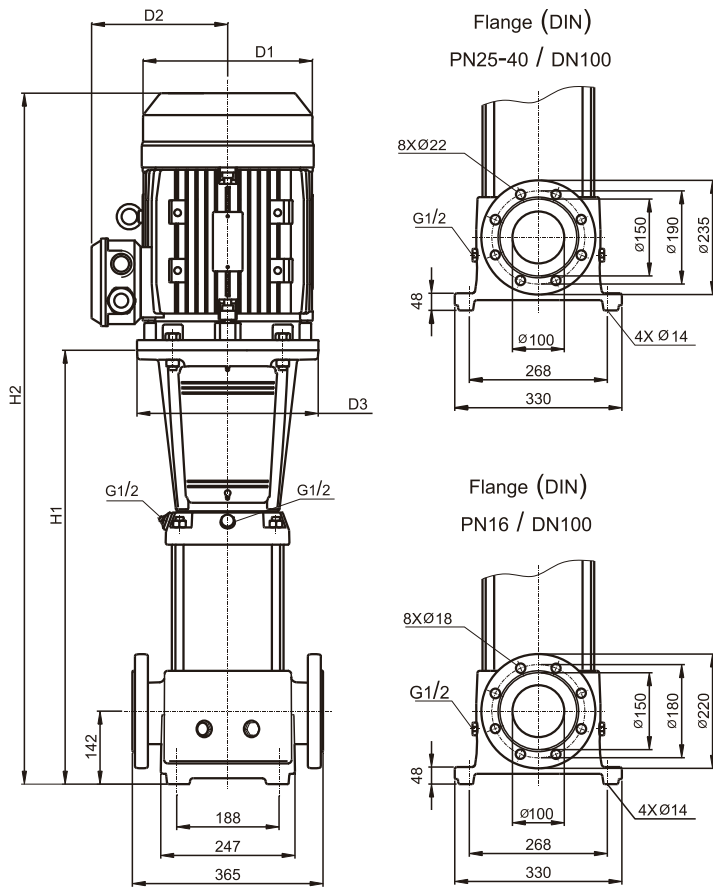
Technical data

Vertical Multistage Centrifugal In-line Pumps



STAIRS PUMPS

Dimensions and weights-SB-64



Pump type	Motor	SB					
		Dimension[mm]					Net weight [kg]
	P ₂ [kW]	DIN flange		D1	D2	D3	
		H1	H2				
SB 64-1-1	7.5	563	961	235	197	300	113.5
SB 64-1	11	673	1178	318	245	350	155.2
SB 64-2-2	15	756	1266	318	245	350	169.4
SB 64-2-1	18.5	756	1306	318	245	350	194.3
SB 64-2	22	756	1336	358	265	350	237.0
SB 64-3-2	22	838	1418	358	265	350	241.6
SB 64-3-1	30	838	1498	420	295	400	306.2
SB 64-3	30	838	1498	420	295	400	306.2
SB 64-4-2	37	921	1581	420	295	400	323.2
SB 64-4-1	37	921	1581	420	295	400	323.2
SB 64-4	45	925	1585	470	325	450	381.4
SB 64-5-2	45	1007	1667	470	325	450	385.4

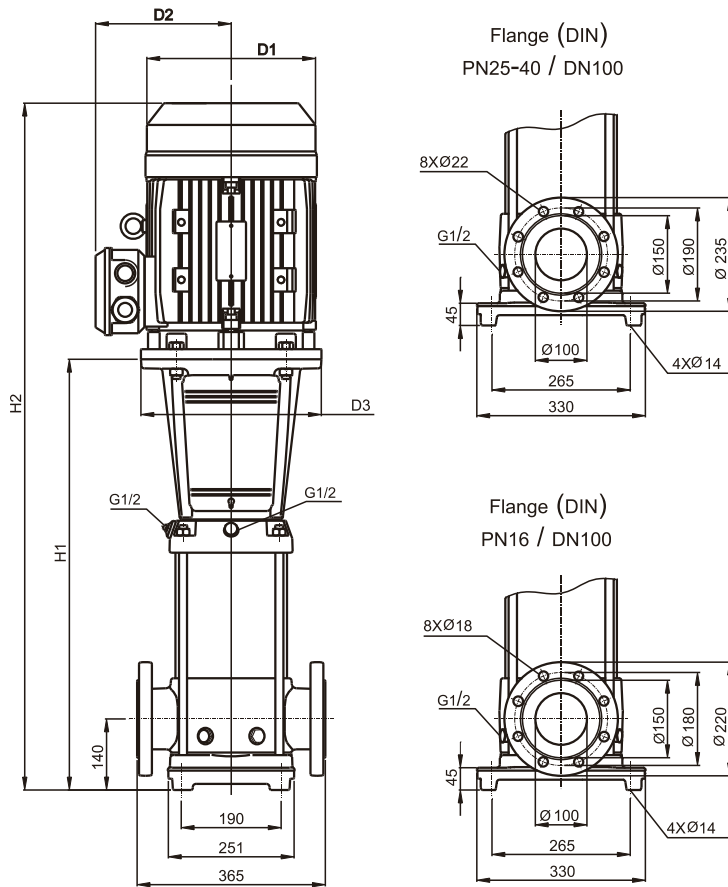
Technical data

Vertical Multistage Centrifugal In-line Pumps



STAIRS PUMPS

Dimensions and weights-SB(I/N)-64



Pump type	Motor P ₂ [kW]	SBI,SBN					Net weight [kg]
		Dimension[mm]					
		DIN flange		D1	D2	D3	DIN flange
H1	H2						
SBI,SBN 64-1-1	7.5	563	961	235	197	300	106.5
SBI,SBN 64-1	11	673	1178	318	245	350	148.2
SBI,SBN 64-2-2	15	756	1266	318	245	350	162.4
SBI,SBN 64-2-1	18.5	756	1306	318	245	350	187.3
SBI,SBN 64-2	22	756	1336	358	265	350	230.0
SBI,SBN 64-3-2	22	838	1418	358	265	350	234.1
SBI,SBN 64-3-1	30	838	1498	420	295	400	298.7
SBI,SBN 64-3	30	838	1498	420	295	400	298.7
SBI,SBN 64-4-2	37	921	1581	420	295	400	315.7
SBI,SBN 64-4-1	37	921	1581	420	295	400	315.7
SBI,SBN 64-4	45	925	1585	470	325	450	373.8
SBI,SBN 64-5-2	45	1007	1667	470	325	450	373.7

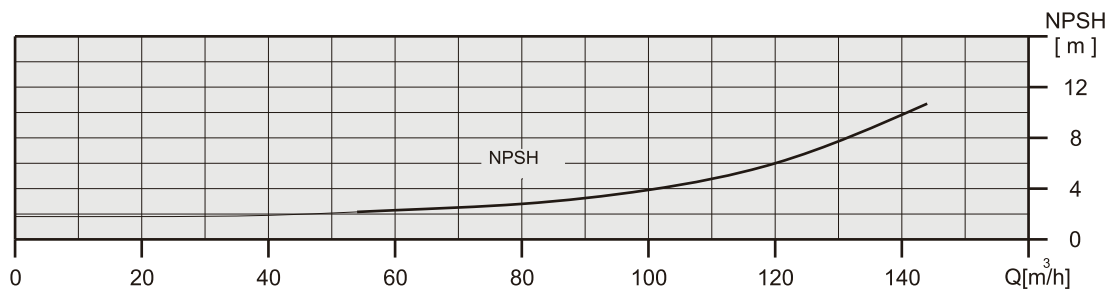
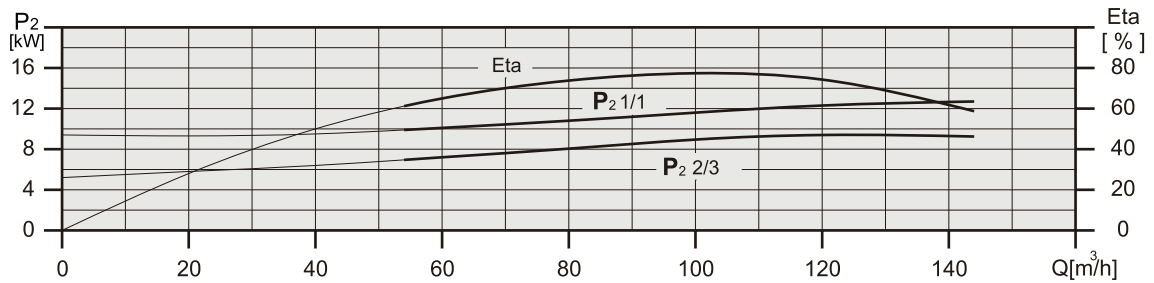
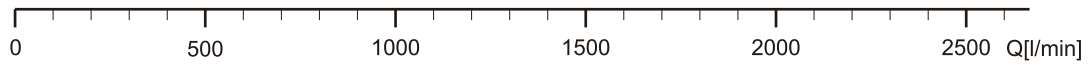
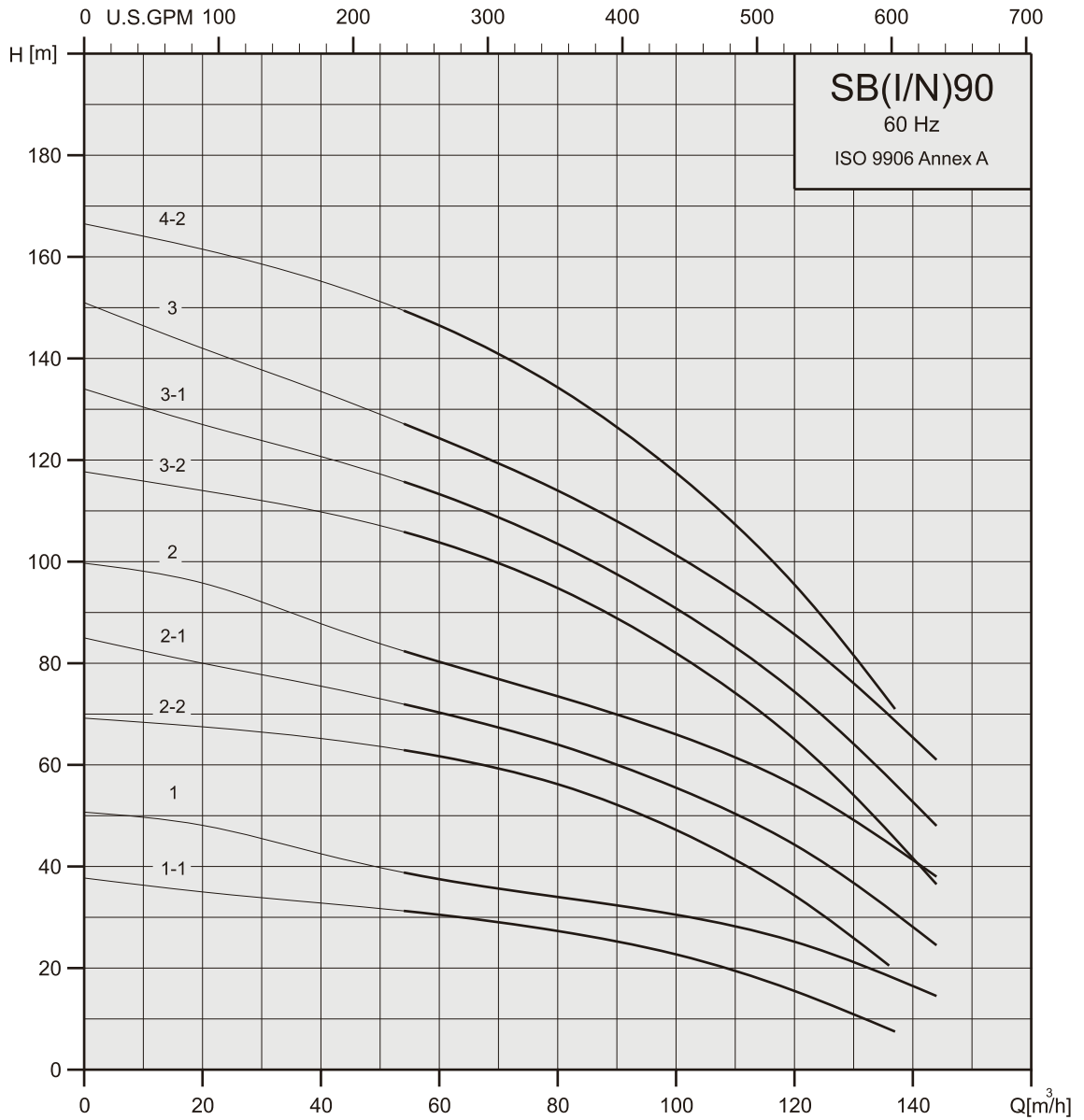
Technical data

Vertical Multistage Centrifugal In-line Pumps



STAIRS PUMPS

SB, SBI, SBN 90



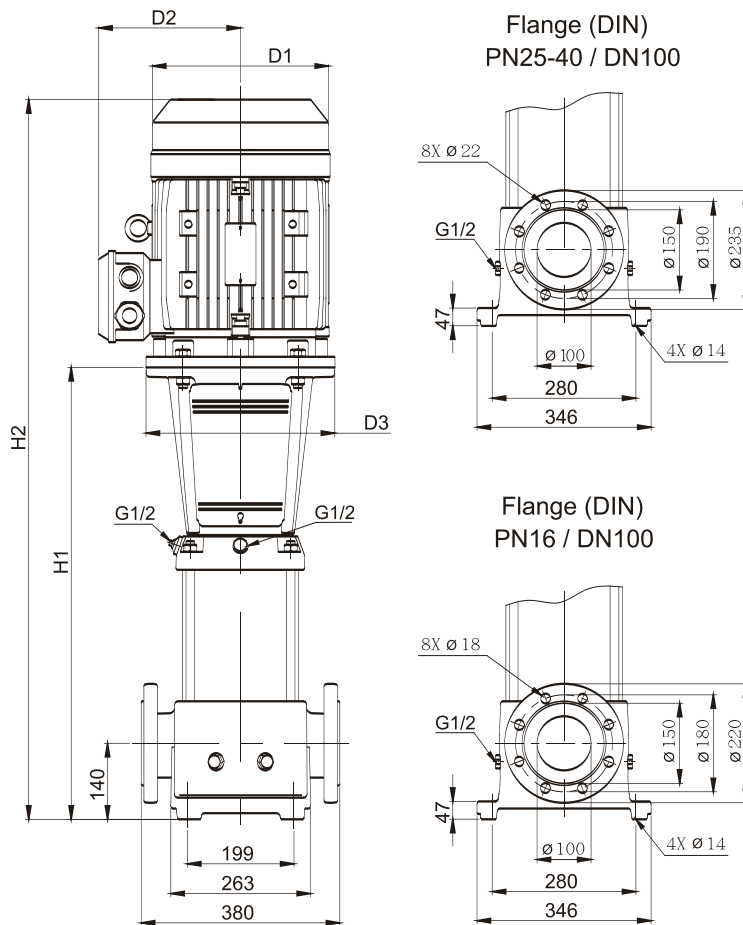
Technical data

Vertical Multistage Centrifugal In-line Pumps



STAIRS PUMPS

Dimensions and weights-SB90



Pump type	Motor	SB					Net weight [kg]
		Dimension[mm]					
	P ₂ [kW]	DIN flange		D1	D2	D3	DIN flange
		H1	H2				
SB 90-1-1	11	682	1187	318	245	350	169.1
SB 90-1	15	682	1192	318	245	350	179.1
SB 90-2-2	18.5	774	1324	318	245	350	209.4
SB 90-2-1	22	774	1354	358	265	350	252.2
SB 90-2	30	774	1434	420	295	400	316.8
SB 90-3-2	37	866	1526	420	295	400	335.0
SB 90-3-1	37	866	1526	420	295	400	335.0
SB 90-3	45	866	1556	470	325	450	393.1
SB 90-4-2	45	958	1648	470	325	450	400.3

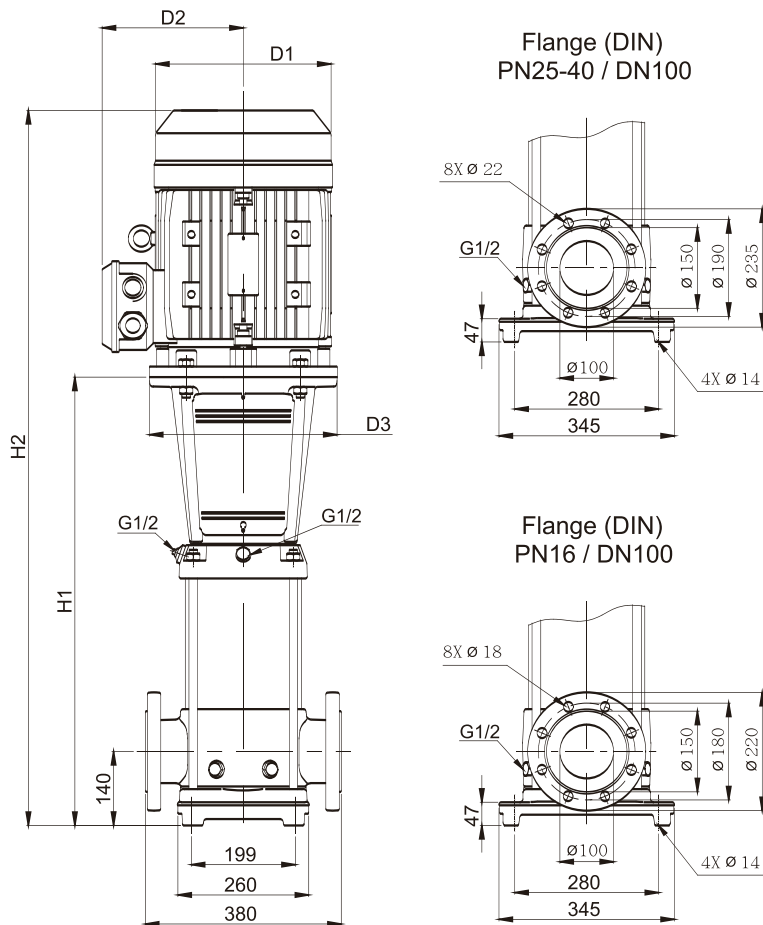
Technical data

Vertical Multistage Centrifugal In-line Pumps



STAIRS PUMPS

Dimensions and weights-SBI,SBN90



Pump type	Motor	SBI,SBN					Net weight [kg]
		Dimension[mm]					
	P ₂ [kW]	DIN flange		D1	D2	D3	DIN flange
	H1	H2					
SBI,SBN 90-1-1	11	686	1191	318	245	350	159.0
SBI,SBN 90-1	15	686	1196	318	245	350	169.0
SBI,SBN 90-2-2	18.5	778	1328	318	245	350	199.2
SBI,SBN 90-2-1	22	778	1358	358	265	350	242.0
SBI,SBN 90-2	30	778	1438	420	295	400	306.6
SBI,SBN 90-3-2	37	870	1530	420	295	400	324.8
SBI,SBN 90-3-1	37	870	1530	420	295	400	324.8
SBI,SBN 90-3	45	870	1560	470	325	450	382.9
SBI,SBN 90-4-2	45	962	1652	470	325	450	389.9

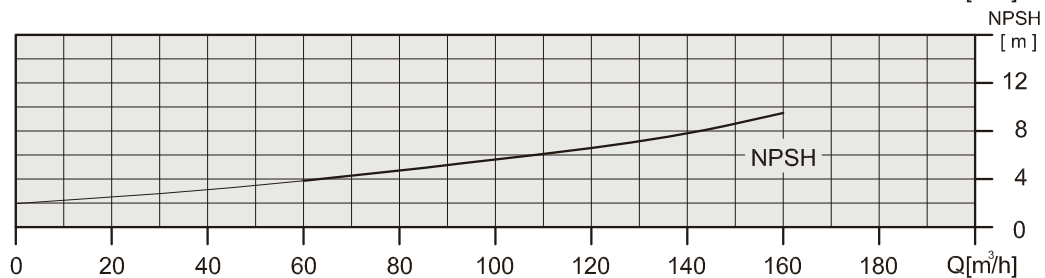
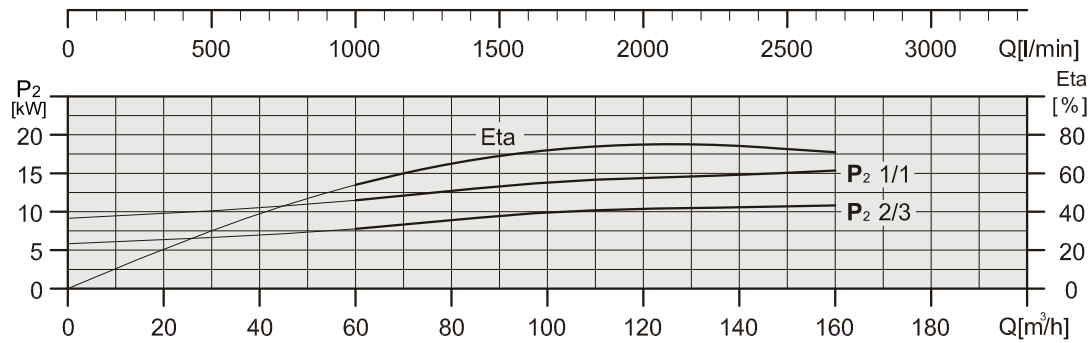
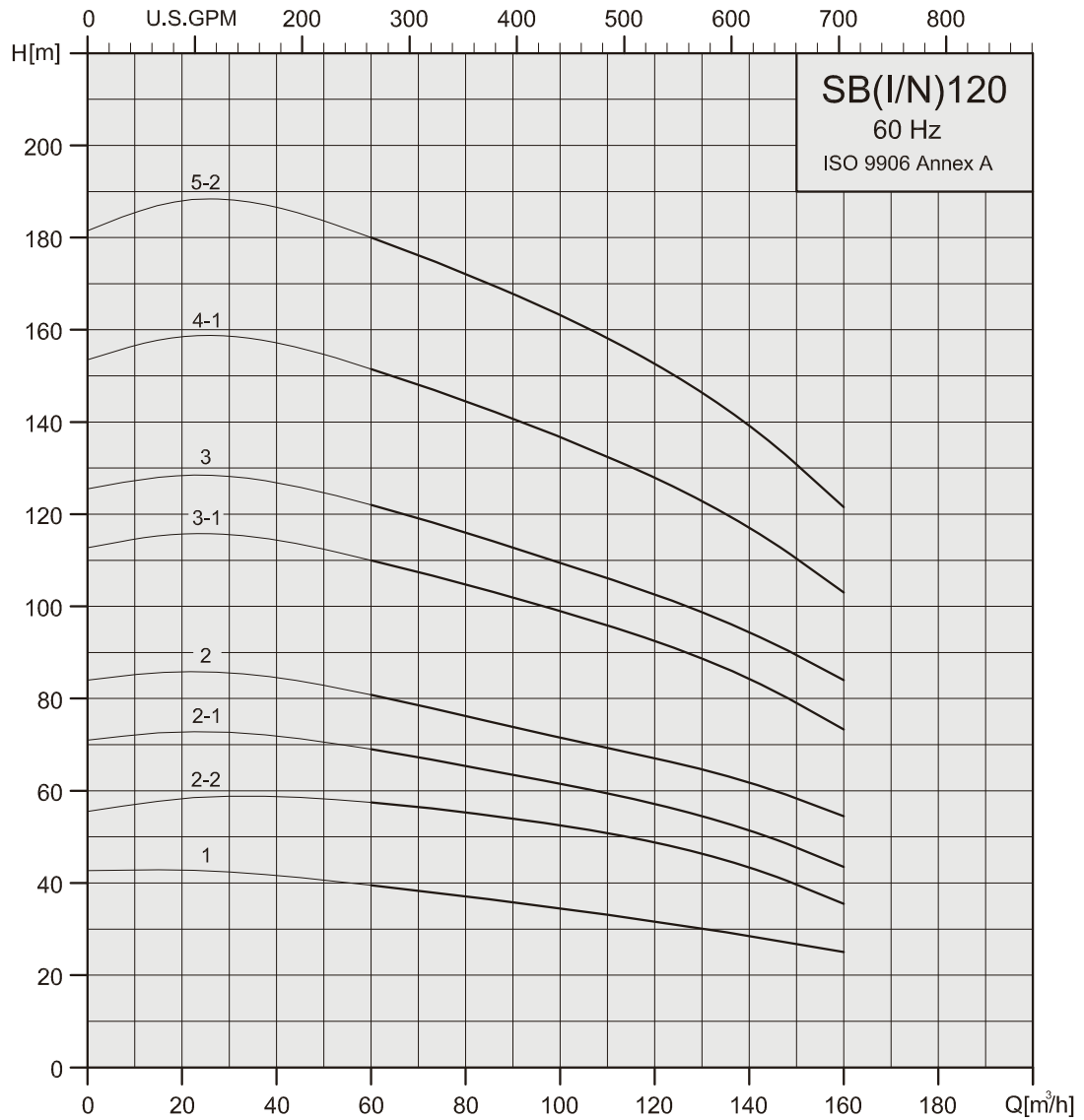
Technical data

Vertical Multistage Centrifugal In-line Pumps



STAIRS PUMPS

SB SBI SBN 120



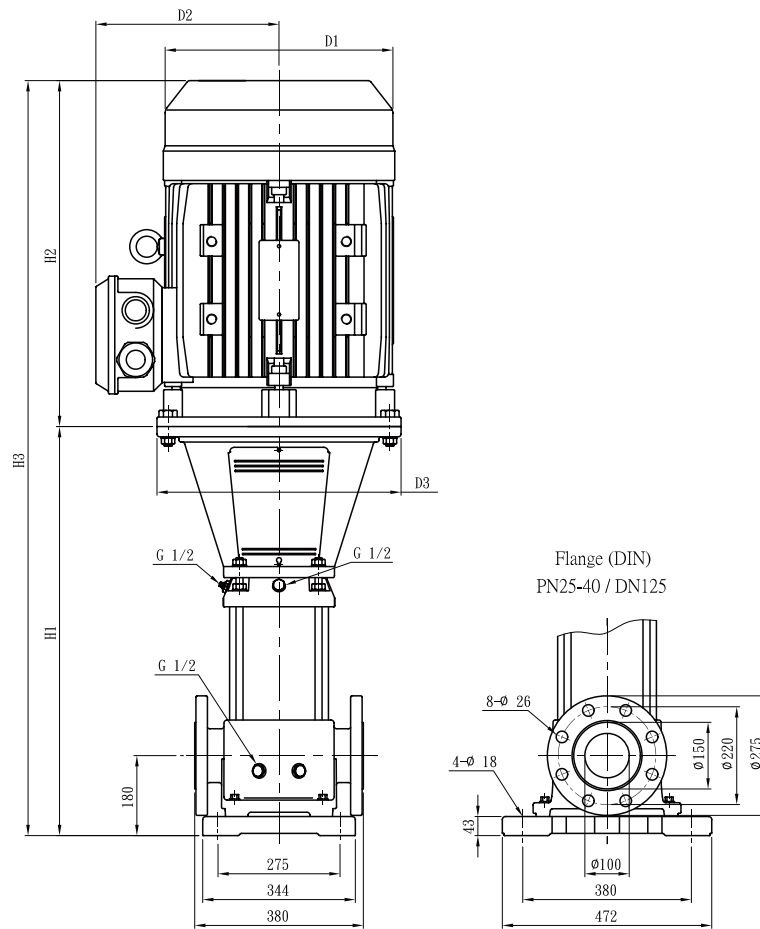
Technical data

Vertical Multistage Centrifugal In-line Pumps



STAIRS PUMPS

Dimensions and weights-SB 120



Pump type	Motor	SB						
		Dimension[mm]						Net weight [kg]
	P ₂ [kW]	DIN flange			D1	D2	D3	
		H1	H2	H3				
SB 120-1	18.5	834	550	1384	318	245	350	235.1
SB 120-2-2	30	990	660	1650	420	295	400	352.4
SB 120-2-1	30	990	660	1650	420	295	400	352.5
SB 120-2	37	990	660	1650	420	295	400	365.5
SB 120-3-1	45	1149	690	1839	470	325	450	433.5
SB 120-3	55	1175	770	1945	510	355	550	548.8
SB 120-4-1	75	1331	845	2176	580	410	550	721.2
SB 120-5-2	75	1486	845	2331	580	410	550	731.2

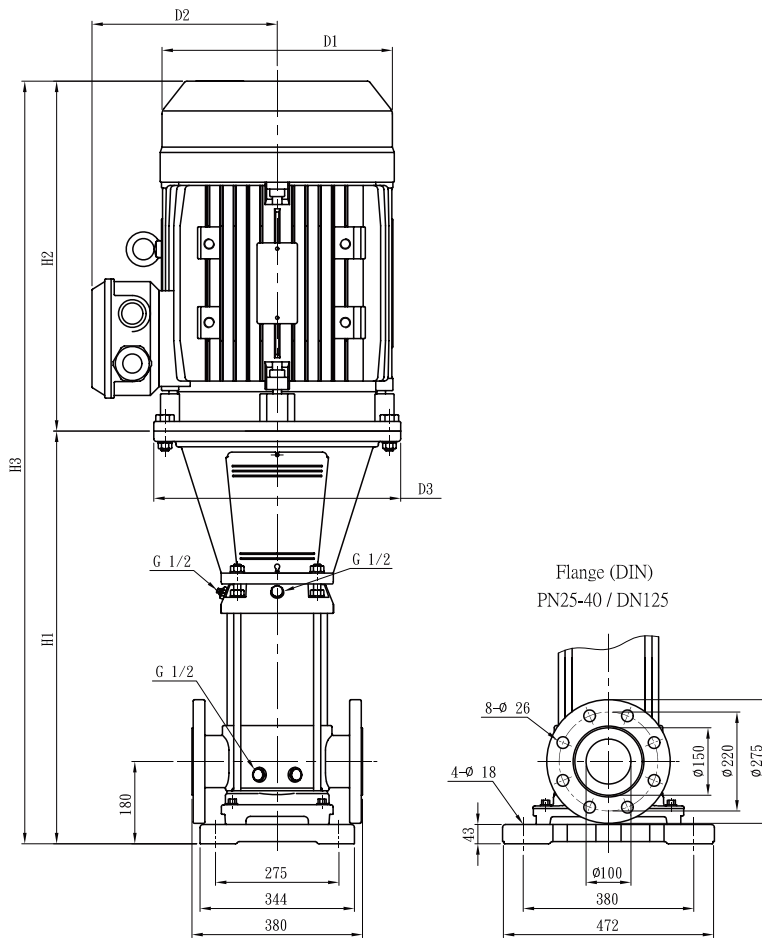
Technical data

Vertical Multistage Centrifugal In-line Pumps



STAIRS PUMPS

Dimensions and weights- SBI,SBN120



Pump type	Motor	SBI,SBN						Net weight [kg]
		Dimension[mm]						
	P ₂ [kW]	DIN flange			D1	D2	D3	DIN flange
H1	H2	H3						
SBI,SBN 120-1	18.5	837	550	1387	318	245	350	215.2
SBI,SBN 120-2-2	30	993	660	1653	420	295	400	336.7
SBI,SBN 120-2-1	30	993	660	1653	420	295	400	336.8
SBI,SBN 120-2	37	993	660	1653	420	295	400	349.9
SBI,SBN 120-3-1	45	1152	690	1842	470	325	450	418.0
SBI,SBN 120-3	55	1178	770	1948	510	355	550	533.4
SBI,SBN 120-4-1	75	1334	845	2179	580	410	550	706.0
SBI,SBN 120-5-2	75	1489	845	2334	580	410	550	716.0

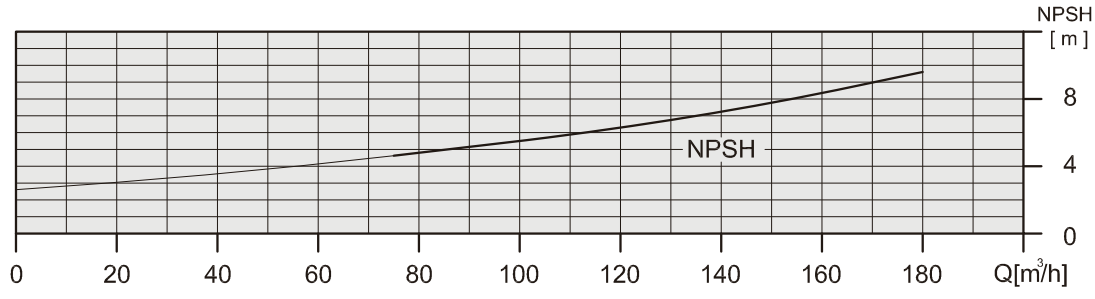
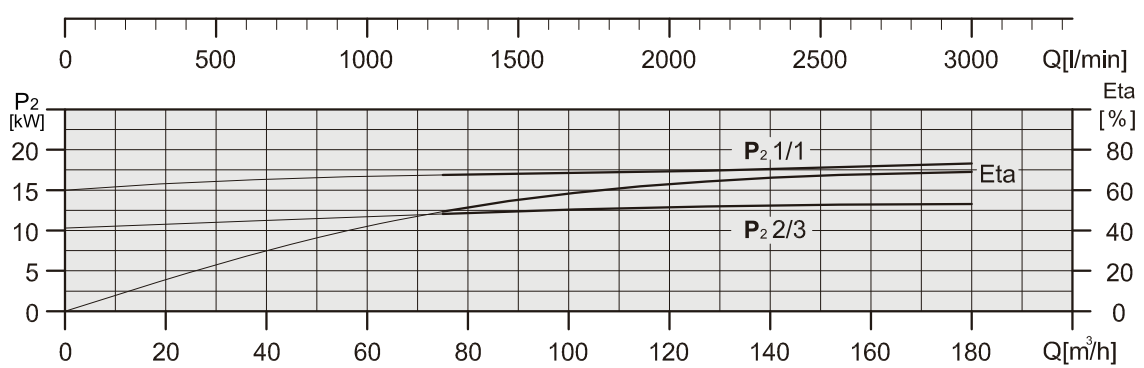
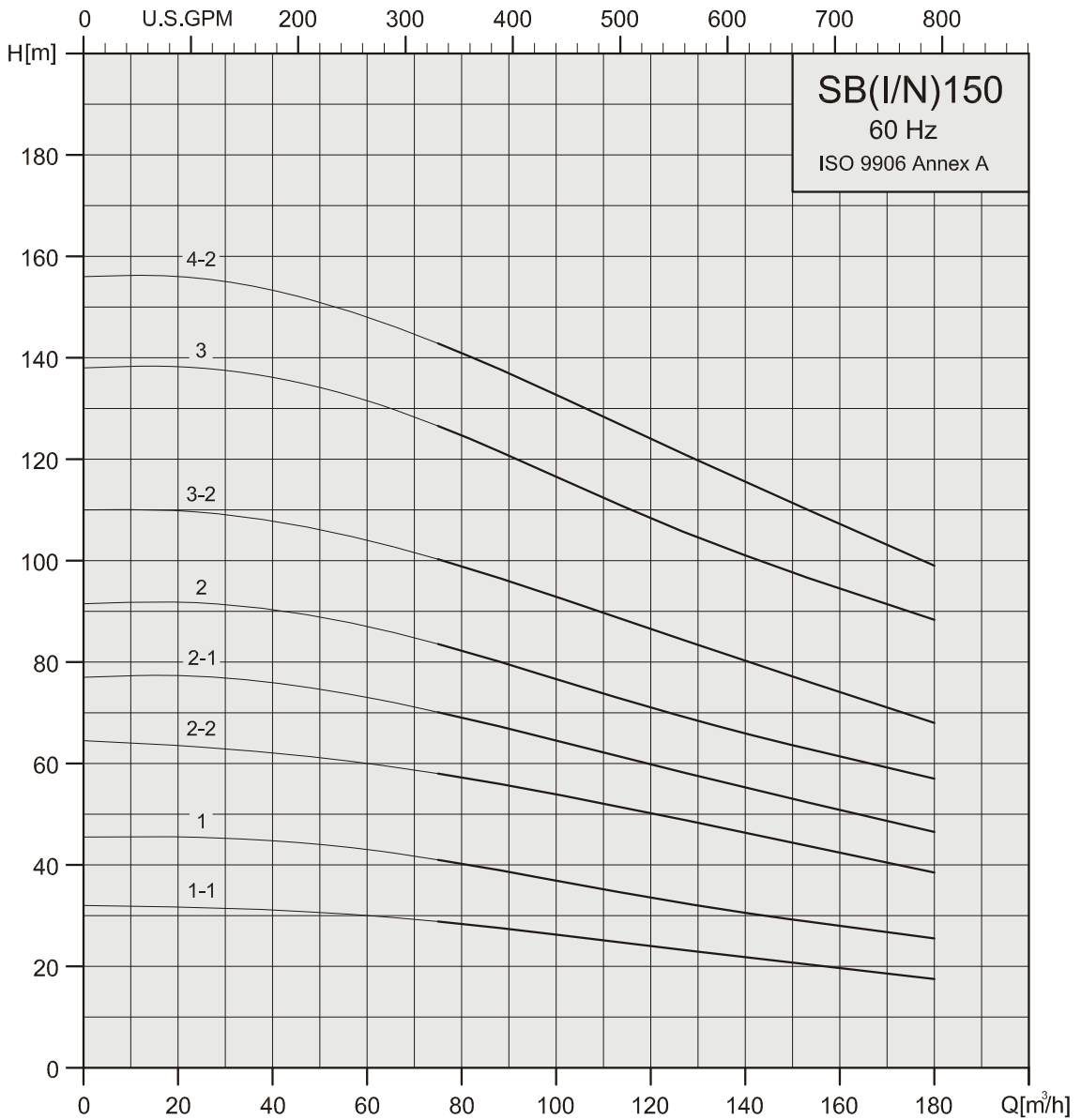
Technical data

Vertical Multistage Centrifugal In-line Pumps



STAIRS PUMPS

SB SBI SBN 150



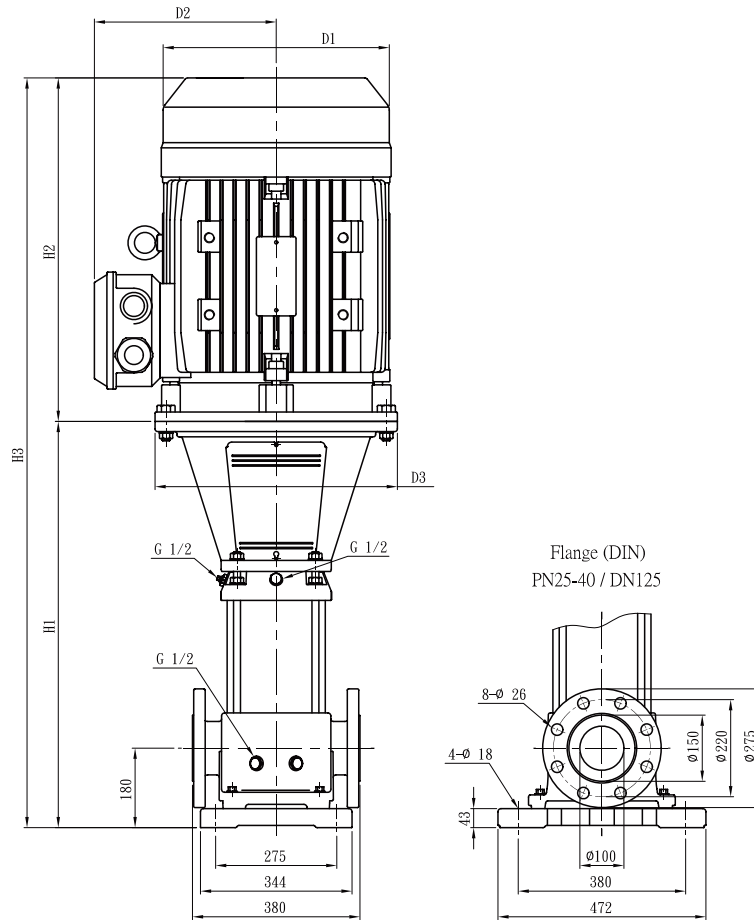
Technical data

Vertical Multistage Centrifugal In-line Pumps



STAIRS PUMPS

Dimensions and weights-SB 150



Pump type	Motor	SB						Net weight [kg]
		Dimension[mm]					DIN flange	
	P ₂ [kW]	DIN flange			D1	D2		D3
		H1	H2	H3				
SB 150-1-1	18.5	834	550	1384	318	245	350	235.0
SB 150-1	22	834	580	1414	358	265	350	277.8
SB 150-2-2	30	990	660	1650	420	295	400	352.4
SB 150-2-1	37	990	660	1650	420	295	400	365.4
SB 150-2	45	994	690	1684	470	325	450	423.5
SB 150-3-2	55	1175	770	1945	510	355	550	548.7
SB 150-3	75	1175	845	2020	580	410	550	711.2
SB 150-4-2	75	1331	845	2176	580	410	550	721.2

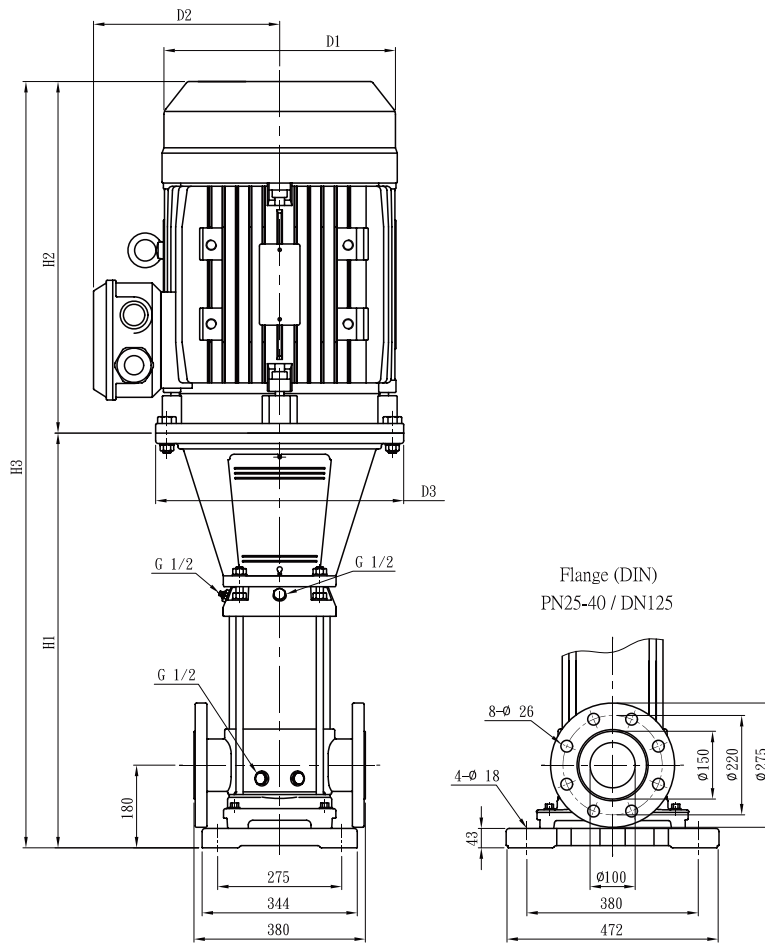
Technical data

Vertical Multistage Centrifugal In-line Pumps



STAIRS PUMPS

Dimensions and weights- SBI,SBN150



Pump type	Motor	SBI,SBN						Net weight [kg]
		Dimension[mm]					DIN flange	
	P ₂ [kW]	DIN flange			D1	D2		D3
		H1	H2	H3				
SBI,SBN 150-1-1	18.5	837	550	1387	318	245	350	218.7
SBI,SBN 150-1	22	837	580	1417	358	265	350	261.7
SBI,SBN 150-2-2	30	992.5	660	1652.5	420	295	400	336.1
SBI,SBN 150-2-1	37	992.5	660	1652.5	420	295	400	349.1
SBI,SBN 150-2	45	996.5	690	1686.5	470	325	450	407.3
SBI,SBN 150-3-2	55	1178	770	1948.0	510	355	550	532.5
SBI,SBN 150-3	75	1178	845	2023	580	410	550	695.1
SBI,SBN 150-4-2	75	1333.5	845	2178.5	580	410	550	704.2

Technical data

Vertical Multistage Centrifugal In-line Pumps



STAIRS PUMPS

Pumped Liquids

SB (I, N) pumps can handle a wide variety of liquids, each with its own characteristic.

SB(I)

Non-corrosive liquids

For fluid transfer, circulation and pressure boosting of cold or hot clean water.

SBN

Industrial liquids

Light acids

The fluids covered in the list are not complete. Data on the application limits of different pump materials when handling any of the listed fluids are considered to be the best choices. However, the table is intended as a general guide only, and cannot replace actual testing of the pumped fluids and pump materials under specific working conditions.

When choosing the pump version, sufficient attention should be given to the flow medium, such as density, solidification point, viscosity as well as ex-protection requirement. The limits of applicability of the pumps, based on pressure and temperature must also be considered.

● Recommended

Pumped fluid	"Fluid Concentration, temperature"	SB (I)		SBN	
		EPDM	Viton	EPDM	Viton
Acetic acid anhydride	25°C			●	
Alkaline cleaner		●			
Aluminium sulphate	10%, 25°C				●
Ammonia water (A. hydroxide)	20%, 40°C	●			
Ammonia hydrogen carbonate	10%, 40°C	●		●	
Benzoic acid	10%, 90°C				●
Boric acid	Unsaturated solution, 60°C				●
Butanol	60°C	●			
Calcium acetate	30%, 50°C	●			
Calcium hydroxide	Saturated solution, 50°C	●			
Chromic acid	1%, 20°C				●
Condensate	90°C	●			
Copper sulphate	Unsaturated solution, 60°C				●
Deionic (fully desalinated water)	50°C			●	
Ethanol	100%, 20°C	●			
Ethylene glycol/Diethylene glycol	40%, 70°C	●	●	●	●
Fixer	25°C				●
Formic acid	5%, 20°C			●	

Technical data

Vertical Multistage Centrifugal In-line Pumps



STAIRS PUMPS

Pumped fluid	"Fluid Concentration, temperature"	SB (I)		SBN	
		EPDM	Viton	EPDM	Viton
Fruit juice	50°C				●
Glycerine	50%, 50°C	●			
Heating oil (Light)		●			●
Hydraulic oil	100%, 100°C		●		
Isopropanol		●			
Lactic acid	10%, 20°C				●
Linoleic acid	100%, 20°C	●			
Linseed oil	60°C		●		
Liqueur	60°C				●
Maize oil	80°C		●		
Maleic acid	50%, 50°C				●
Methanol	100%, 20°C	●			
Motor oil	100%, 80°C	●			
Oil-water-mixture	100°C		●		
Oxalic acid	1%, 20°C			●	
Peanut oil	100%, 80°C		●		
Phosphoric acid	20%, 20°C			●	
Polyglycols	90°C		●		●
Polyethylene glycols	40%, 70°C	●			
Potassium carbonate	10%, 60°C	●			
Potassium hydrogen carbonate	10%, 60°C	●			
Potassium permanganate	5%, 20°C			●	
Potassium sulphate	Unsaturated solution, 80°C			●	
Rapeseed oil	100%, 80°C		●		
Silicone oil	100%		●		
Sodium carbonate	10%, 60°C			●	
Sodium hydroxide	25%, 50°C			●	
Sodium nitrate	Unsaturated solution, 80°C			●	
Sodium phosphate	5%, 100°C			●	
Sodium sulphate	10%, 60°C			●	
Sulphuric acid	5%, 25°C				●
Water					
Swimming pool water	35°C	● SBI		●	
Deionic	50°C			●	
Distilled water	50°C			●	
Decarbonated water				●	
Soft water				●	
Heating water				●	
Boiler water				●	
Pure water				●	
Rinsing water		● SBI		●	



Note

A series of horizontal dashed lines extending across the page, providing a template for handwritten notes.



STAIRS INDUSTRIAL CO., LTD.

Company
No. 3-8, Sanchial Tsun, Lutsao Hsiang,
Chiai Hsien, Taiwan
Tel:+886(0)53750488
Fax:+886(0)53752330
E-Mail:stairs@stairs.com.tw